

Reliable® Automatic Sprinkler Co. Inc.

Booth Graphic Locations



see attached for alignment

**Ship Date:**

04-13-2023

**Order #:**

1522046

10286

**Art Coordinator:**

Raul Ramirez

**Print File Name:**

1522046\_C-G-BL-INT-SEG\_B1\_PrintX1.pdf

**Product:**

C-G-BL-INT-SEG

**Quantity:**

1

**Pantone:**

- TotalSize
- TrimLine
- SafeArea

**Total Size:**

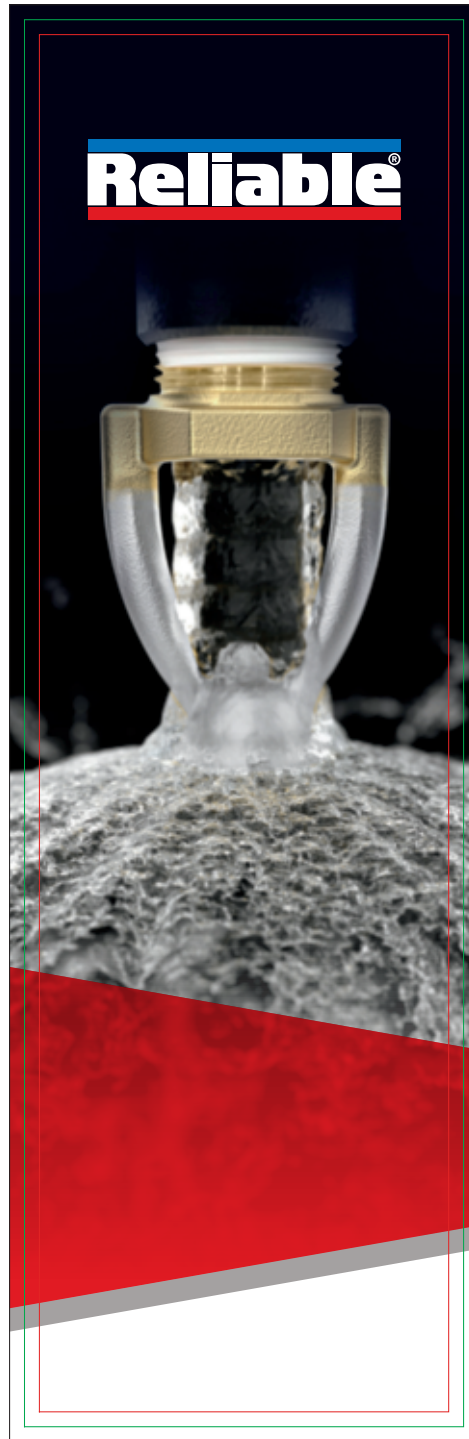
62.94"w x 192.86"h

**Finished Size:**

58.94"w x 188.86"h

**Notes:**

GRAPHIC (B1) (62.94 w X 192.86 h total size ) 58.94 w X 188.86 h finish size, UV/LED print on Backlit Intensity, single sided, sewn with silicone beading around perimeter & pull tab in bottom right corner



**TEMPLATE KEY:** Black - Total Size/Bounding Box | Red - Stitch Lines/Safe Area | Green - Trim Line | Blue - Bend Lines | Gray - Obstructions **NOTE:** Color coded template will not print.

**Description:**

Custom Graphic, UV/LED print on Backlit Intensity, single sided, up to 120" width, sewn with FCE-2 silicone beading around perimeter & pull tab in bottom right corner

Internal Use Only:	
Ripped Signature	Cutting Signature
Printed Signature	Finished Signature
Check Color Signature	Printed Packing Slip
Sublimated Signature	Packed Job

**Ship Date:**

04-13-2023

**Order #:**

1522046

10286

**Art Coordinator:**

Raul Ramirez

**Print File Name:**

1522046\_C-G-BL-INT-SEG\_B4\_PrintX1.pdf

**Product:**

C-G-BL-INT-SEG

**Quantity:**

1

**Pantone:**

- TotalSize
- TrimLine
- SafeArea

**Total Size:**

62.94"w x 192.86"h

**Finished Size:**

58.94"w x 188.86"h

**Notes:**

GRAPHIC (B4) (62.94 w X 192.86 h total size ) 58.94 w X 188.86 h finish size, UV/LED print on Backlit Intensity, single sided, sewn with silicone beading around perimeter & pull tab in bottom right corner



**TEMPLATE KEY:** Black - Total Size/Bounding Box | Red - Stitch Lines/Safe Area | Green - Trim Line  
Blue - Bend Lines | Gray - Obstructions **NOTE:** Color coded template will not print.

**Description:**

Custom Graphic, UV/LED print on Backlit Intensity, single sided, up to 120" width, sewn with FCE-2 silicone beading around perimeter & pull tab in bottom right corner

Internal Use Only:	
Ripped Signature	Cutting Signature
Printed Signature	Finished Signature
Check Color Signature	Printed Packing Slip
Sublimated Signature	Packed Job

**Ship Date:**

04-13-2023

**Order #:**

1522046

10286

**Art Coordinator:**

Raul Ramirez

**Print File Name:**

1522046\_C-G-BL-INT-SEG\_C1\_PrintX1.pdf

**Product:**

C-G-BL-INT-SEG

**Quantity:**

1

**Pantone:**

- TotalSize
- TrimLine
- SafeArea

**Total Size:**

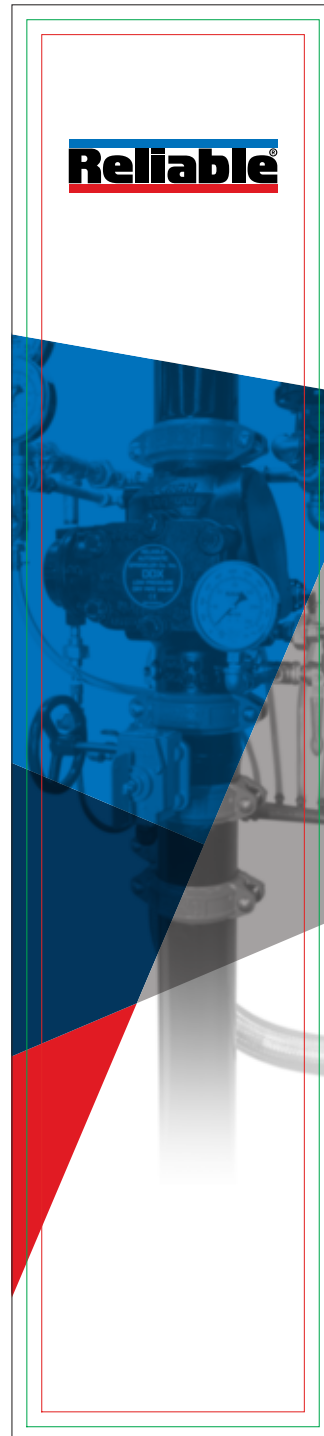
43.25"w x 192.86"h

**Finished Size:**

39.25"w x 188.86"h

**Notes:**

GRAPHIC (C1) (43.25 w X 192.86 h total size ) 39.25 w X 188.86 h finish size, UV/LED print on Backlit Intensity, single sided, sewn with silicone beading around perimeter & pull tab in bottom right corner



**TEMPLATE KEY:** Black - Total Size/Bounding Box | Red - Stitch Lines/Safe Area | Green - Trim Line  
Blue - Bend Lines | Gray - Obstructions **NOTE:** Color coded template will not print.

**Description:**

Custom Graphic, UV/LED print on Backlit Intensity, single sided, up to 120" width, sewn with FCE-2 silicone beading around perimeter & pull tab in bottom right corner

Internal Use Only:	
Ripped Signature	Cutting Signature
Printed Signature	Finished Signature
Check Color Signature	Printed Packing Slip
Sublimated Signature	Packed Job

**Ship Date:**

04-13-2023

**Order #:**

1522046

10286

**Art Coordinator:**

Raul Ramirez

**Print File Name:**

1522046\_C-G-BL-INT-SEG\_C2\_PrintX1.pdf

**Product:**

C-G-BL-INT-SEG

**Quantity:**

1

**Pantone:**

- TotalSize
- TrimLine
- SafeArea

**Total Size:**

43.25"w x 192.86"h

**Finished Size:**

39.25"w x 188.86"h

**Notes:**

GRAPHIC (C2) (43.25 w X 192.86 h total size ) 39.25 w X 188.86 h finish size, UV/LED print on Backlit Intensity, single sided, sewn with silicone beading around perimeter & pull tab in bottom right corner



**TEMPLATE KEY:** Black - Total Size/Bounding Box | Red - Stitch Lines/Safe Area | Green - Trim Line  
Blue - Bend Lines | Gray - Obstructions **NOTE:** Color coded template will not print.

**Description:**

Custom Graphic, UV/LED print on Backlit Intensity, single sided, up to 120" width, sewn with FCE-2 silicone beading around perimeter & pull tab in bottom right corner

Internal Use Only:	
Ripped Signature	Cutting Signature
Printed Signature	Finished Signature
Check Color Signature	Printed Packing Slip
Sublimated Signature	Packed Job

**Ship Date:**

04-13-2023

**Order #:**

1522046

10286

**Art Coordinator:**

Raul Ramirez

**Print File Name:**

1522046\_C-G-BL-INT-SEG\_C3\_PrintX1.pdf

**Product:**

C-G-BL-INT-SEG

**Quantity:**

1

**Pantone:**

- TotalSize
- TrimLine
- SafeArea

**Total Size:**

43.25"w x 192.86"h

**Finished Size:**

39.25"w x 188.86"h

**Notes:**

GRAPHIC (C3) (43.25 w X 192.86 h total size ) 39.25 w X 188.86 h finish size, UV/LED print on Backlit Intensity, single sided, sewn with silicone beading around perimeter & pull tab in bottom right corner



**TEMPLATE KEY:** Black - Total Size/Bounding Box | Red - Stitch Lines/Safe Area | Green - Trim Line  
Blue - Bend Lines | Gray - Obstructions **NOTE:** Color coded template will not print.

**Description:**

Custom Graphic, UV/LED print on Backlit Intensity, single sided, up to 120" width, sewn with FCE-2 silicone beading around perimeter & pull tab in bottom right corner

Internal Use Only:	
Ripped Signature	Cutting Signature
Printed Signature	Finished Signature
Check Color Signature	Printed Packing Slip
Sublimated Signature	Packed Job

**Ship Date:**

04-13-2023

**Order #:**

1522046

10286

**Art Coordinator:**

Raul Ramirez

**Print File Name:**

1522046\_C-G-BL-INT-SEG\_C4\_PrintX1.pdf

**Product:**

C-G-BL-INT-SEG

**Quantity:**

1

**Pantone:**

- TotalSize
- TrimLine
- SafeArea

**Total Size:**

43.25"w x 192.86"h

**Finished Size:**

39.25"w x 188.86"h

**Notes:**

GRAPHIC (C4) (43.25 w X 192.86 h total size ) 39.25 w X 188.86 h finish size, UV/LED print on Backlit Intensity, single sided, sewn with silicone beading around perimeter & pull tab in bottom right corner



**TEMPLATE KEY:** Black - Total Size/Bounding Box | Red - Stitch Lines/Safe Area | Green - Trim Line  
Blue - Bend Lines | Gray - Obstructions **NOTE:** Color coded template will not print.

**Description:**

Custom Graphic, UV/LED print on Backlit Intensity, single sided, up to 120" width, sewn with FCE-2 silicone beading around perimeter & pull tab in bottom right corner

Internal Use Only:	
Ripped Signature	Cutting Signature
Printed Signature	Finished Signature
Check Color Signature	Printed Packing Slip
Sublimated Signature	Packed Job

**Ship Date:**

04-13-2023

**Order #:**

1522046

10286

**Art Coordinator:**

Raul Ramirez

**Print File Name:**

1522046\_C-G-EBS-SEG\_A1\_PrintX1.pdf

**Product:**

C-G-EBS-SEG

**Quantity:**

1

**Pantone:**

- TotalSize
- TrimLine
- SafeArea

**Total Size:**

59"w x 98.37"h

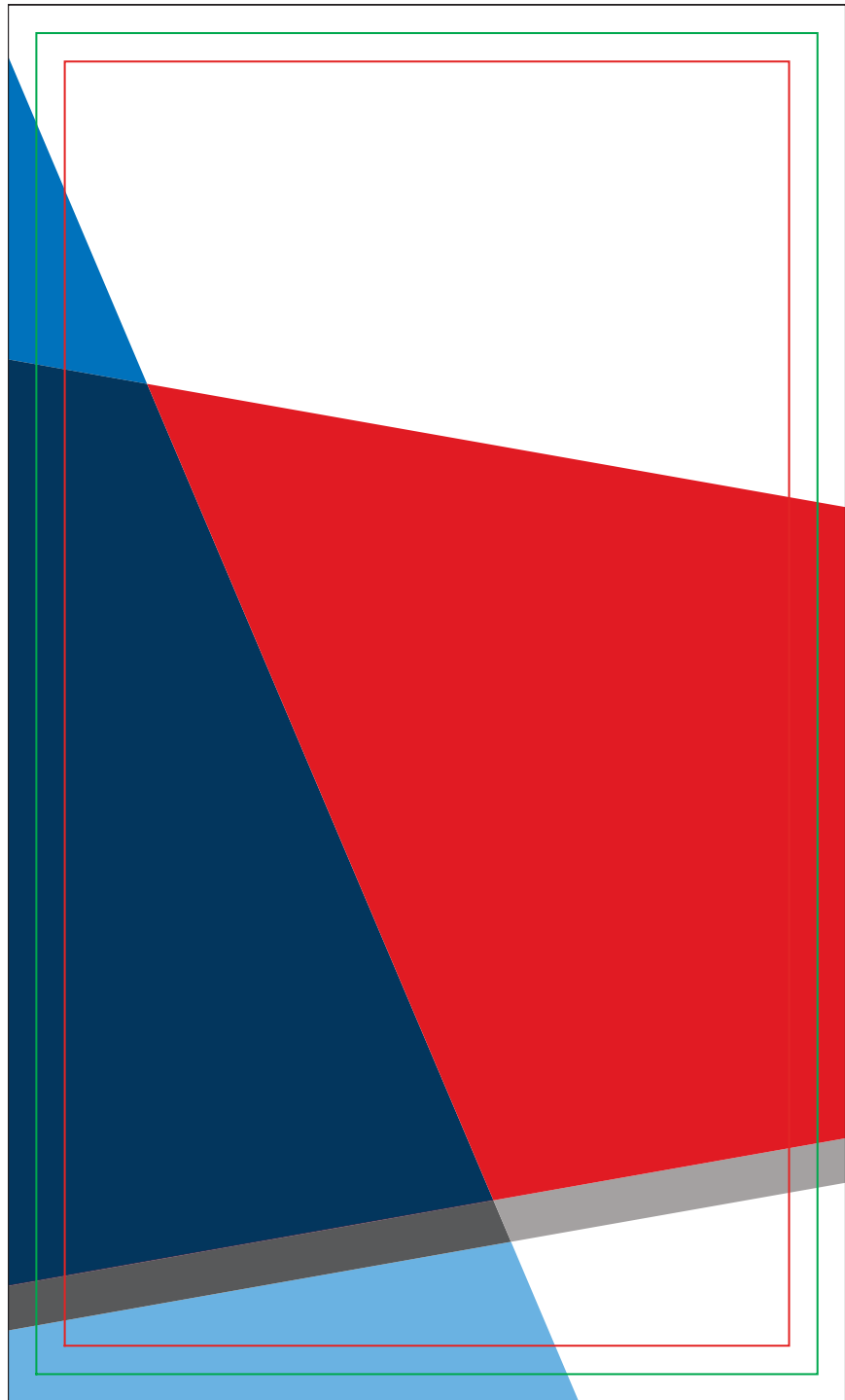
**Finished Size:**

55"w x 94.37"h

**Notes:**

GRAPHIC (A1) (59.00 w X 98.37 h total size ) 55.00 w X 94.37 h finish size, Dye-sub print on Eclipse Blockout Stretch, single sided, sewn with FCE-2 silicone beading around perimeter & pull tab in

see attached for alignment  
**DOOR PANEL**



**TEMPLATE KEY:** Black - Total Size/Bounding Box | Red - Stitch Lines/Safe Area | Green - Trim Line  
Blue - Bend Lines | Gray - Obstructions **NOTE:** Color coded template will not print.

**Description:**

Custom Graphic, dye-sub print on Eclipse Blockout Stretch, single sided, sewn with FCE-2 silicone beading around perimeter & pull tab in bottom right corner

Internal Use Only:	
Ripped Signature	Cutting Signature
Printed Signature	Finished Signature
Check Color Signature	Printed Packing Slip
Sublimated Signature	Packed Job



**Ship Date:**

04-13-2023

**Order #:**

1522046

10286

**Art Coordinator:**

Raul Ramirez

**Print File Name:**

1522046\_C-G-EBS-SEG\_A2\_PrintX1.pdf

**Product:**

C-G-EBS-SEG

**Quantity:**

1

**Pantone:**

- TotalSize
- TrimLine
- SafeArea

**Total Size:**

59"w x 98.37"h

**Finished Size:**

55"w x 94.37"h

**Notes:**

GRAPHIC (A2) (59.00 w X 98.37 h total size ) 55.00 w X 94.37 h finish size, Dye-sub print on Eclipse Blockout Stretch, single sided, sewn with FCE-2 silicone beading around perimeter & pull tab in



**TEMPLATE KEY:** Black - Total Size/Bounding Box | Red - Stitch Lines/Safe Area | Green - Trim Line  
Blue - Bend Lines | Gray - Obstructions **NOTE:** Color coded template will not print.

**Description:**

Custom Graphic, dye-sub print on Eclipse Blockout Stretch, single sided, sewn with FCE-2 silicone beading around perimeter & pull tab in bottom right corner

Internal Use Only:	
Ripped Signature	Cutting Signature
Printed Signature	Finished Signature
Check Color Signature	Printed Packing Slip
Sublimated Signature	Packed Job

**Ship Date:**

04-13-2023

**Order #:**

1522046

10286

**Art Coordinator:**

Raul Ramirez

**Print File Name:**

1522046\_C-G-EBS-SEG\_A3\_PrintX1.pdf

**Product:**

C-G-EBS-SEG

**Quantity:**

1

**Pantone:**

- TotalSize
- TrimLine
- SafeArea

**Total Size:**

38.76"w x 85.38"h

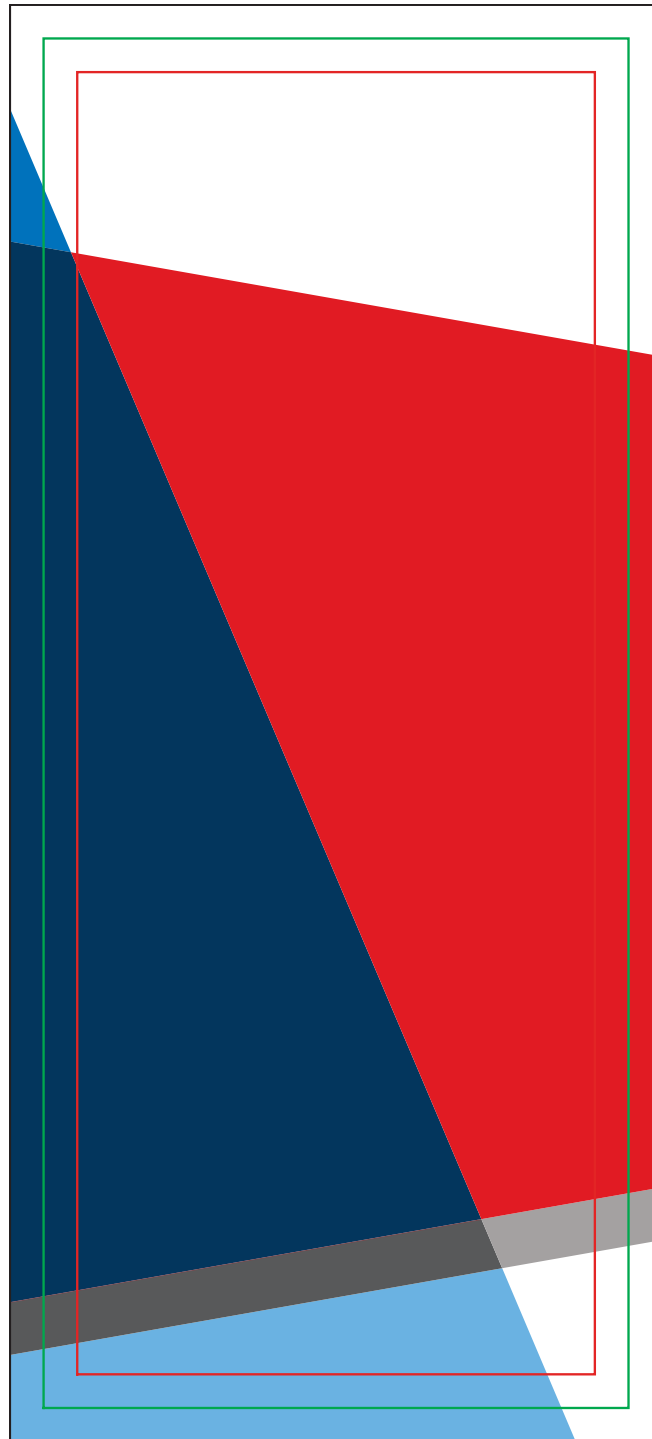
**Finished Size:**

34.76"w x 81.38"h

**Notes:**

GRAPHIC (A3) (38.76 w X 85.38 h total size ) 34.76 w X 81.38 h finish size, Dye-sub print on Eclipse Blockout Stretch, single sided, sewn with FCE-2 silicone beading around perimeter & pull tab in

see attached for alignment  
**DOOR**



**TEMPLATE KEY:** Black - Total Size/Bounding Box | Red - Stitch Lines/Safe Area | Green - Trim Line  
Blue - Bend Lines | Gray - Obstructions **NOTE:** Color coded template will not print.

**Description:**

Custom Graphic, dye-sub print on Eclipse Blockout Stretch, single sided, sewn with FCE-2 silicone beading around perimeter & pull tab in bottom right corner

Internal Use Only:	
Ripped Signature	Cutting Signature
Printed Signature	Finished Signature
Check Color Signature	Printed Packing Slip
Sublimated Signature	Packed Job

see attached for alignment

**Ship Date:**

04-13-2023

**Order #:**

1522046

10286

**Art Coordinator:**

Raul Ramirez

**Print File Name:**

1522046\_C-G-EBS-SEG\_B2\_PrintX1.pdf

**Product:**

C-G-EBS-SEG

**Quantity:**

1

**Pantone:**

- TotalSize
- TrimLine
- SafeArea

**Total Size:**

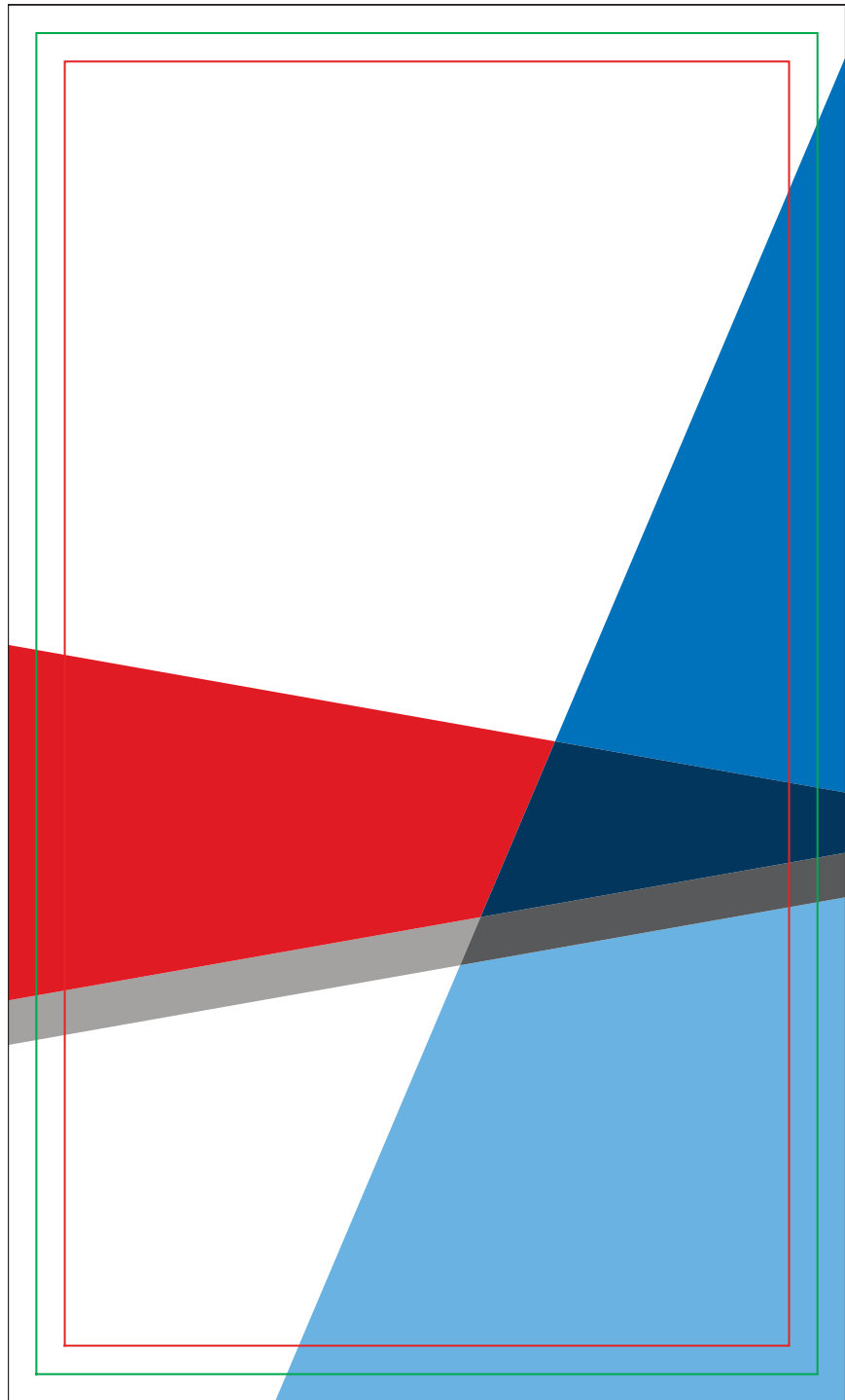
59"w x 98.37"h

**Finished Size:**

55"w x 94.37"h

**Notes:**

GRAPHIC (B2) (59.00 w X 98.37 h total size ) 55.00 w X 94.37 h finish size, Dye-sub print on Eclipse Blockout Stretch, single sided, sewn with FCE-2 silicone beading around perimeter & pull tab in



**TEMPLATE KEY:** Black - Total Size/Bounding Box | Red - Stitch Lines/Safe Area | Green - Trim Line  
Blue - Bend Lines | Gray - Obstructions **NOTE:** Color coded template will not print.

**Description:**

Custom Graphic, dye-sub print on Eclipse Blockout Stretch, single sided, sewn with FCE-2 silicone beading around perimeter & pull tab in bottom right corner

Internal Use Only:	
Ripped Signature	Cutting Signature
Printed Signature	Finished Signature
Check Color Signature	Printed Packing Slip
Sublimated Signature	Packed Job

**Ship Date:**

04-13-2023

**Order #:**

1522046

10286

**Art Coordinator:**

Raul Ramirez

**Print File Name:**

1522046\_C-G-EBS-SEG\_B3\_PrintX1.pdf

**Product:**

C-G-EBS-SEG

**Quantity:**

1

**Pantone:**

- TotalSize
- TrimLine
- SafeArea

**Total Size:**

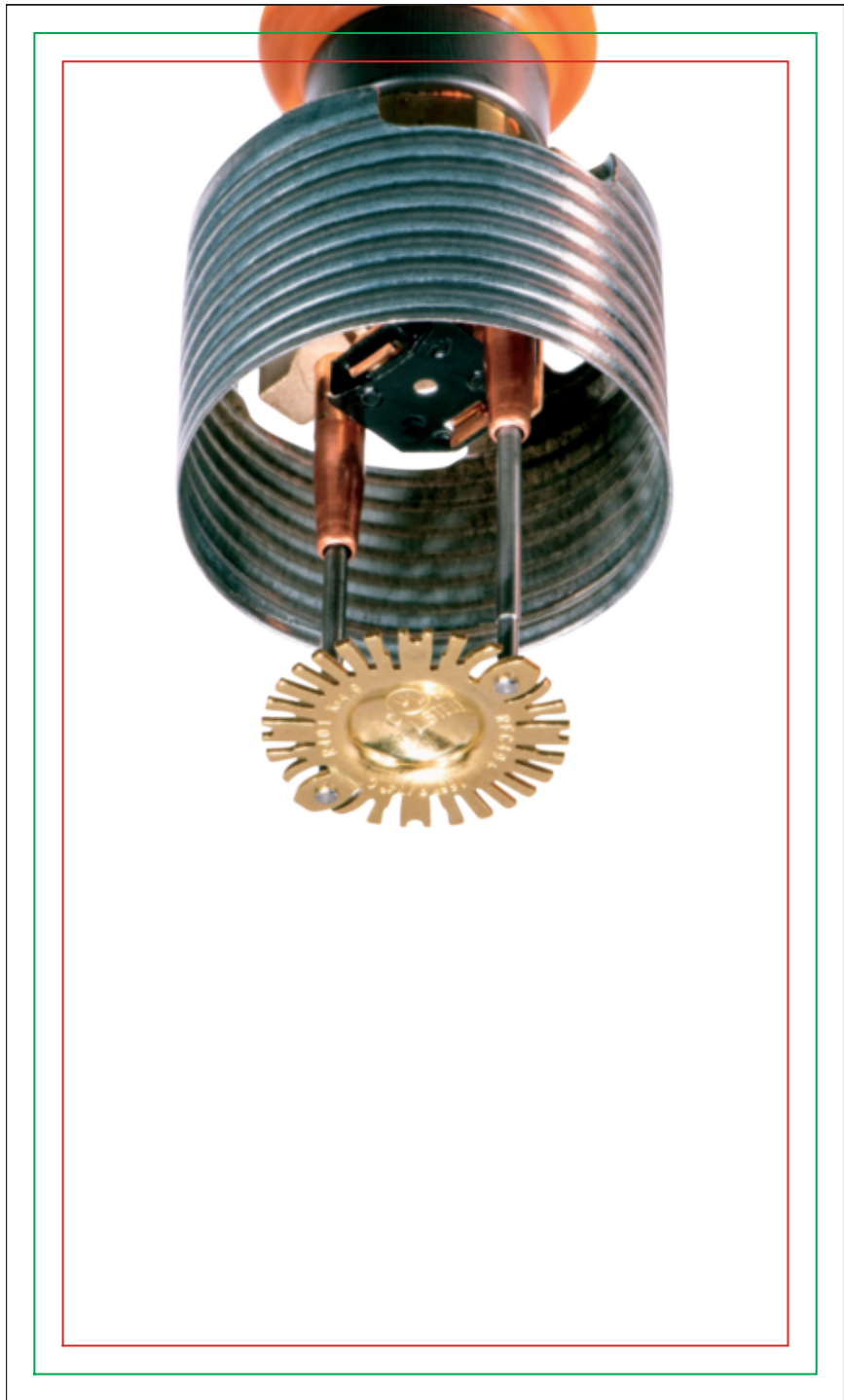
59"w x 98.37"h

**Finished Size:**

55"w x 94.37"h

**Notes:**

GRAPHIC (B3) (59.00 w X 98.37 h total size ) 55.00 w X 94.37 h finish size, Dye-sub print on Eclipse Blockout Stretch, single sided, sewn with FCE-2 silicone beading around perimeter & pull tab in

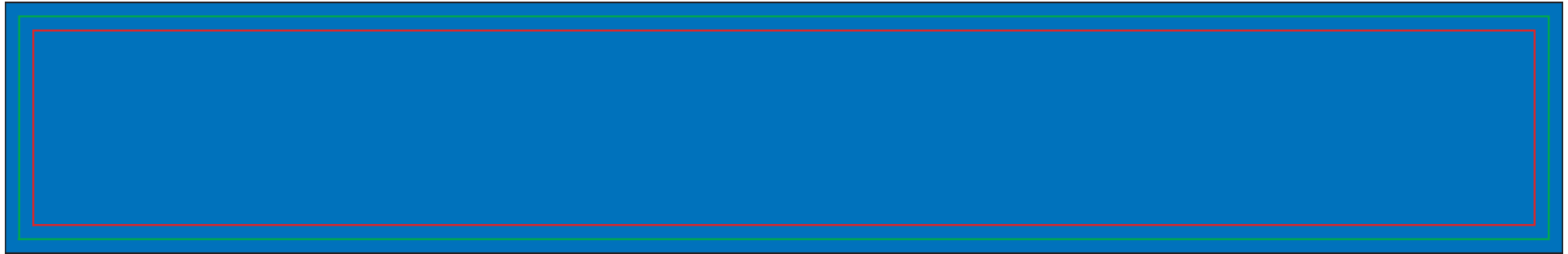


**TEMPLATE KEY:** Black - Total Size/Bounding Box | Red - Stitch Lines/Safe Area | Green - Trim Line  
Blue - Bend Lines | Gray - Obstructions **NOTE:** Color coded template will not print.

**Description:**

Custom Graphic, dye-sub print on Eclipse Blockout Stretch, single sided, sewn with FCE-2 silicone beading around perimeter & pull tab in bottom right corner

Internal Use Only:	
Ripped Signature	Cutting Signature
Printed Signature	Finished Signature
Check Color Signature	Printed Packing Slip
Sublimated Signature	Packed Job



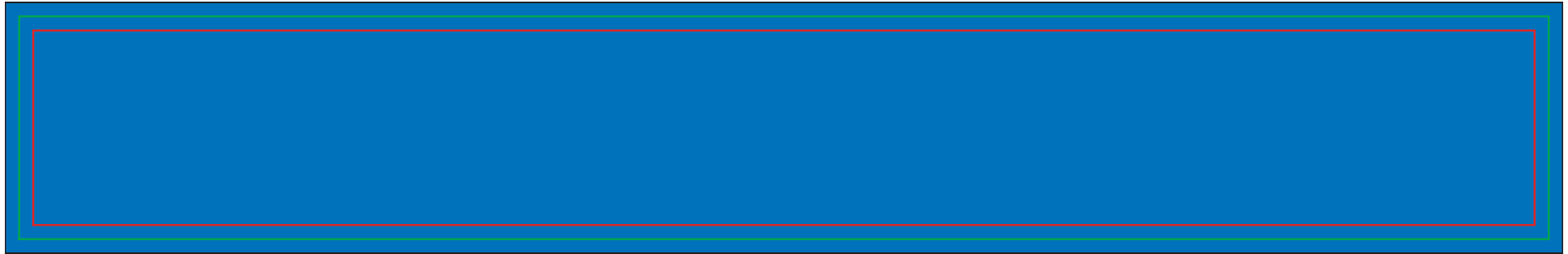
**Rip at 200%**

**TEMPLATE KEY:** Black - Total Size/Bounding Box | Red - Stitch Lines/Safe Area | Green - Trim Line | Blue - Bend Lines | Gray - Obstructions **NOTE:** Color coded template will not print.

<b>Ship Date:</b> 04-13-2023	10286	<b>Art Coordinator:</b> Raul Ramirez	<b>Product:</b> C-G-SK-OP-VEL	<b>Pantone Colors:</b> <div style="display: flex; flex-direction: column; gap: 5px;"> <div><span style="display: inline-block; width: 10px; height: 10px; background-color: black; margin-right: 5px;"></span> TotalSize</div> <div><span style="display: inline-block; width: 10px; height: 10px; background-color: green; margin-right: 5px;"></span> TrimLine</div> <div><span style="display: inline-block; width: 10px; height: 10px; background-color: red; margin-right: 5px;"></span> SafeArea</div> </div>
<b>Order #:</b> 1522046		<b>Print File Name:</b> 1522046_C-G-SK-OP-VEL_D1_PrintX1.pdf	<b>Quantity:</b> 1	

<b>Total Size:</b> 110.27"w x 17.75"h	<b>Notes:</b> GRAPHIC (D1) (220.54 w X 35.50 h total size ) 216.54 w X 31.50 h finish size, Dye-sub print on 5oz. Soft Knit, single sided, with opaque liner with zipper along top and 0.75 inch velcro on back side along height.	<b>Description:</b> Custom Graphic, dye-sub print on 5oz. Soft Knit, with opaque liner, up to 120" width, sewn with 0.75 inch white loop velcro around back perimeter	<b>Internal Use Only:</b>	
<b>Finished Size:</b> 108.27"w x 15.75"h				

	Ripped Signature	Cutting Signature
	Printed Signature	Finished Signature
	Check Color Signature	Printed Packing Slip
	Sublimated Signature	Packed Job



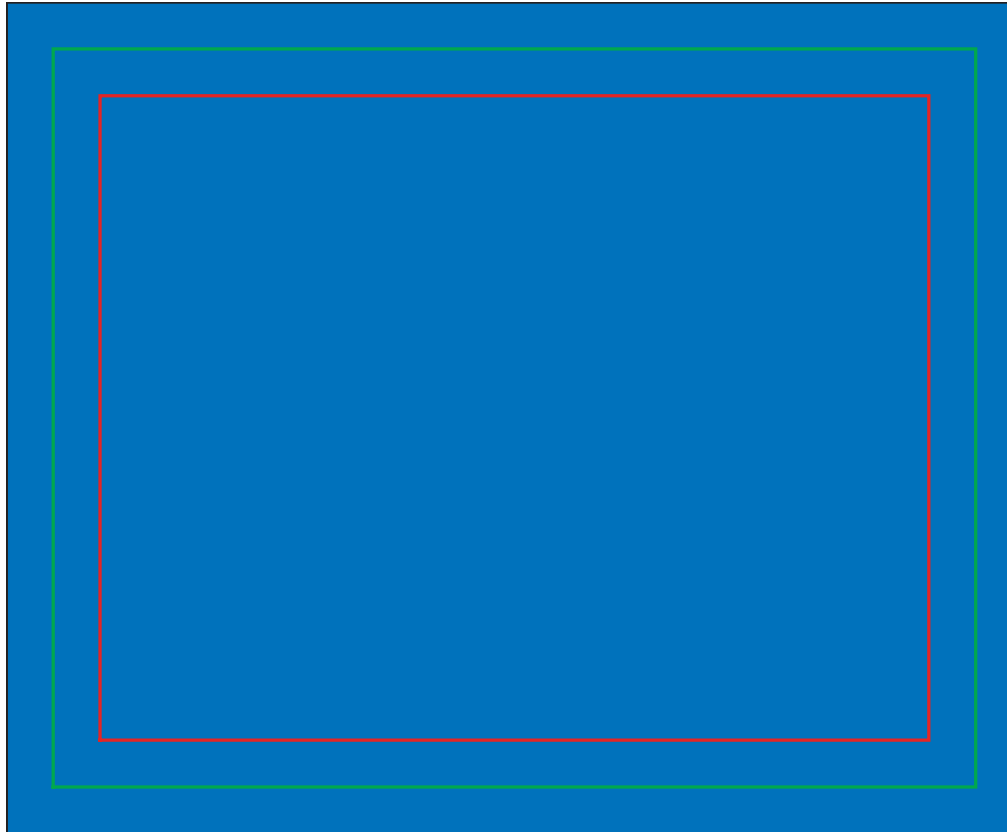
**Rip at 200%**

**TEMPLATE KEY:** Black - Total Size/Bounding Box | Red - Stitch Lines/Safe Area | Green - Trim Line | Blue - Bend Lines | Gray - Obstructions **NOTE:** Color coded template will not print.

<b>Ship Date:</b> 04-13-2023	10286	<b>Art Coordinator:</b> Raul Ramirez	<b>Product:</b> C-G-SK-OP-VEL	<b>Pantone Colors:</b> <div style="display: flex; flex-direction: column; gap: 5px;"> <div><span style="display: inline-block; width: 10px; height: 10px; background-color: black; margin-right: 5px;"></span> TotalSize</div> <div><span style="display: inline-block; width: 10px; height: 10px; background-color: green; margin-right: 5px;"></span> TrimLine</div> <div><span style="display: inline-block; width: 10px; height: 10px; background-color: red; margin-right: 5px;"></span> SafeArea</div> </div>
<b>Order #:</b> 1522046		<b>Print File Name:</b> 1522046_C-G-SK-OP-VEL_D2_PrintX1.pdf	<b>Quantity:</b> 1	

<b>Total Size:</b> 110.27"w x 17.75"h	<b>Notes:</b> GRAPHIC (D2) (220.54 w X 35.50 h total size ) 216.54 w X 31.50 h finish size, Dye-sub print on 5oz. Soft Knit, single sided, with opaque liner with zipper along top and 0.75 inch velcro on back side along height.	<b>Description:</b> Custom Graphic, dye-sub print on 5oz. Soft Knit, with opaque liner, up to 120" width, sewn with 0.75 inch white loop velcro around back perimeter	<b>Internal Use Only:</b>	
<b>Finished Size:</b> 108.27"w x 15.75"h				

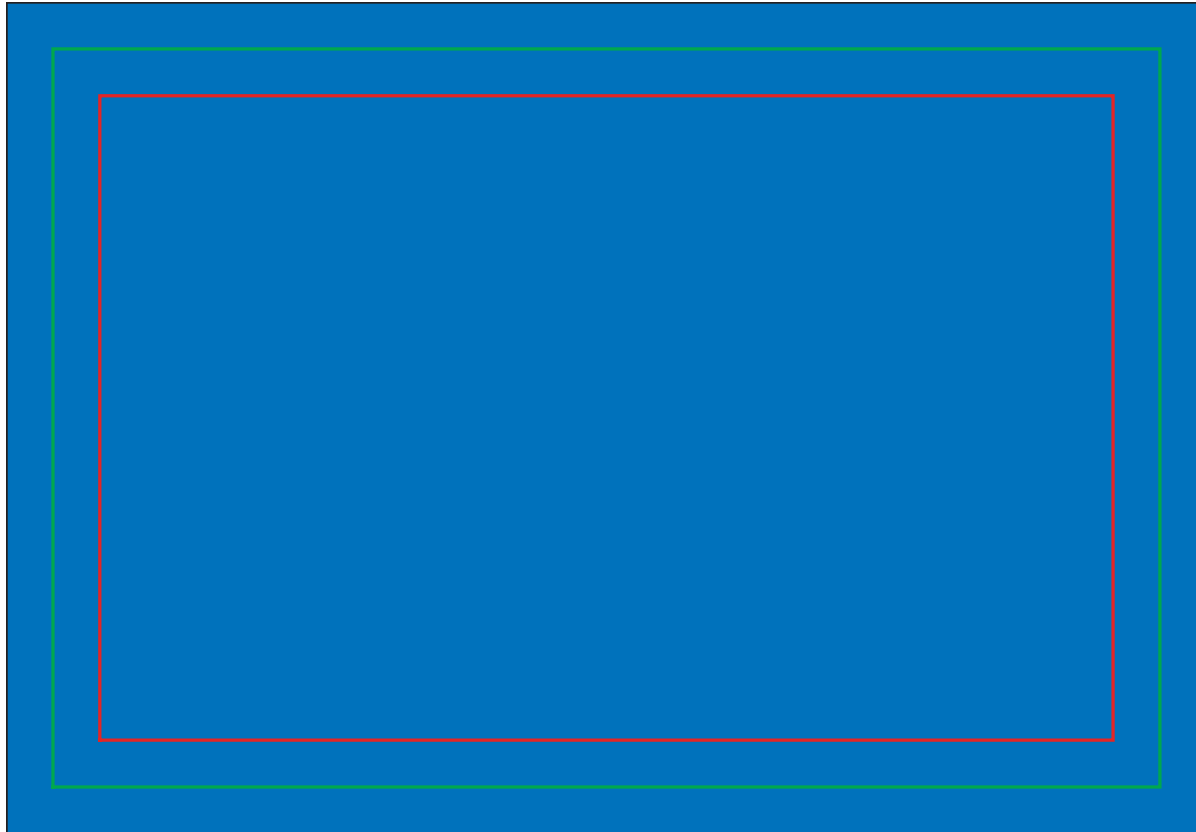
	Ripped Signature	Cutting Signature
	Printed Signature	Finished Signature
	Check Color Signature	Printed Packing Slip
	Sublimated Signature	Packed Job



**TEMPLATE KEY:** Black - Total Size/Bounding Box | Red - Stitch Lines/Safe Area | Green - Trim Line | Blue - Bend Lines | Gray - Obstructions **NOTE:** Color coded template will not print.

<b>Ship Date:</b> 04-13-2023	10286	<b>Art Coordinator:</b> Raul Ramirez	<b>Product:</b> C-G-SK-OP-VEL	<b>Pantone Colors:</b> <span style="display: inline-block; width: 10px; height: 10px; background-color: black; margin-right: 5px;"></span> TotalSize <span style="display: inline-block; width: 10px; height: 10px; background-color: green; margin-right: 5px;"></span> TrimLine <span style="display: inline-block; width: 10px; height: 10px; background-color: red; margin-right: 5px;"></span> SafeArea
<b>Order #:</b> 1522046		<b>Print File Name:</b> 1522046_C-G-SK-OP-VEL_E1_PrintX1.pdf	<b>Quantity:</b> 1	

<b>Total Size:</b> 43.37"w x 35.50"h  <b>Finished Size:</b> 39.37"w x 31.50"h	<b>Notes:</b> GRAPHIC (E1) (43.37 w X 35.50 h total size ) 39.37 w X 31.50 h finish size, Dye-sub print on 5oz. Soft Knit, single sided, with opaque liner with zipper along top and 0.75 inch velcro on back side along height.	<b>Description:</b> Custom Graphic, dye-sub print on 5oz. Soft Knit, with opaque liner, up to 120" width, sewn with 0.75 inch white loop velcro around back perimeter	<b>Internal Use Only:</b>	
			Ripped Signature	Cutting Signature
			Printed Signature	Finished Signature
			Check Color Signature	Printed Packing Slip
			Sublimated Signature	Packed Job

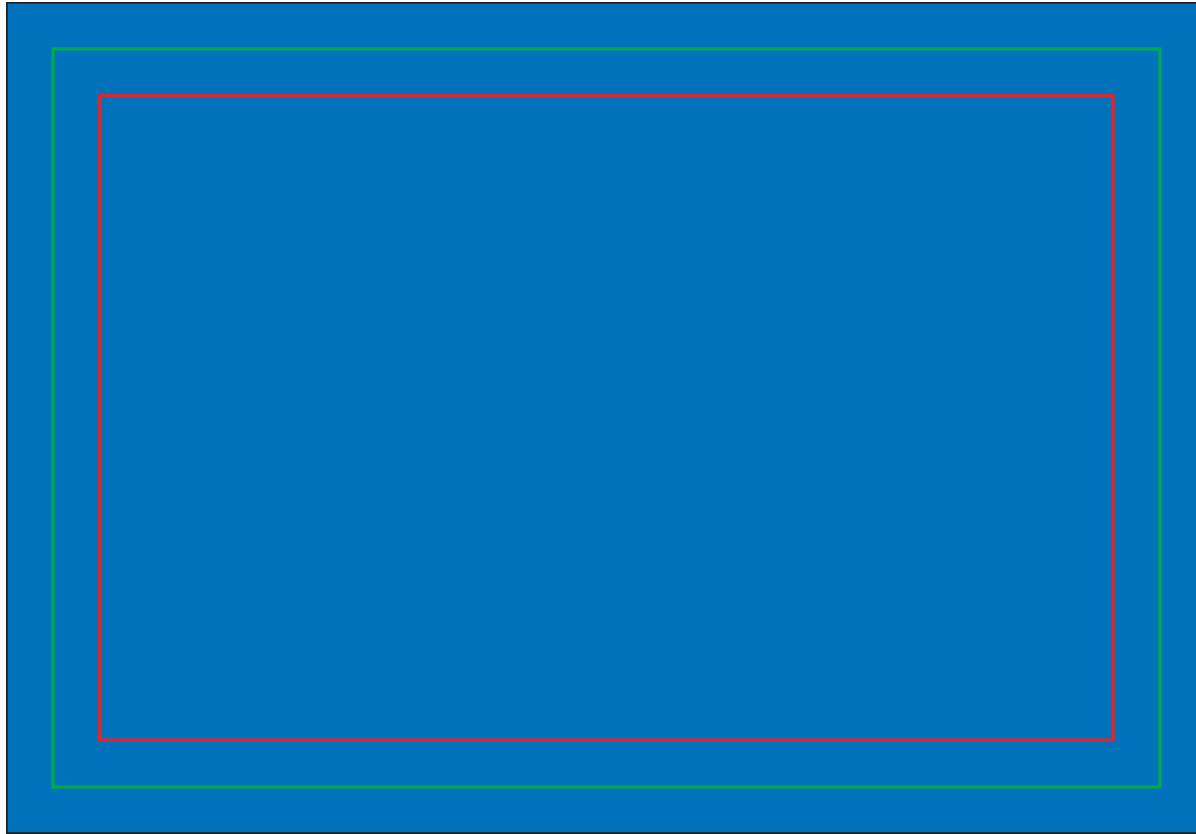


**TEMPLATE KEY:** Black - Total Size/Bounding Box | Red - Stitch Lines/Safe Area | Green - Trim Line | Blue - Bend Lines | Gray - Obstructions **NOTE:** Color coded template will not print.

<b>Ship Date:</b> 04-13-2023	10286	<b>Art Coordinator:</b> Raul Ramirez	<b>Product:</b> C-G-SK-OP-VEL	<b>Pantone Colors:</b> <span style="display: inline-block; width: 10px; height: 10px; background-color: black; margin-right: 5px;"></span> TotalSize <span style="display: inline-block; width: 10px; height: 10px; background-color: green; margin-right: 5px;"></span> TrimLine <span style="display: inline-block; width: 10px; height: 10px; background-color: red; margin-right: 5px;"></span> SafeArea
<b>Order #:</b> 1522046		<b>Print File Name:</b> 1522046_C-G-SK-OP-VEL_F1_PrintX1.pdf	<b>Quantity:</b> 1	

<b>Total Size:</b> 51.24"w x 35.50"h  <b>Finished Size:</b> 47.24"w x 31.50"h	<b>Notes:</b> GRAPHIC (F1) (51.24 w X 35.50 h total size ) 47.24 w X 31.50 h finish size, Dye-sub print on 5oz. Soft Knit, single sided, with opaque liner with zipper along top and 0.75 inch velcro on back side along height.	<b>Description:</b> Custom Graphic, dye-sub print on 5oz. Soft Knit, with opaque liner, up to 120" width, sewn with 0.75 inch white loop velcro around back perimeter	<b>Internal Use Only:</b>	
			Ripped Signature	Cutting Signature
			Printed Signature	Finished Signature
			Check Color Signature	Printed Packing Slip
			Sublimated Signature	Packed Job



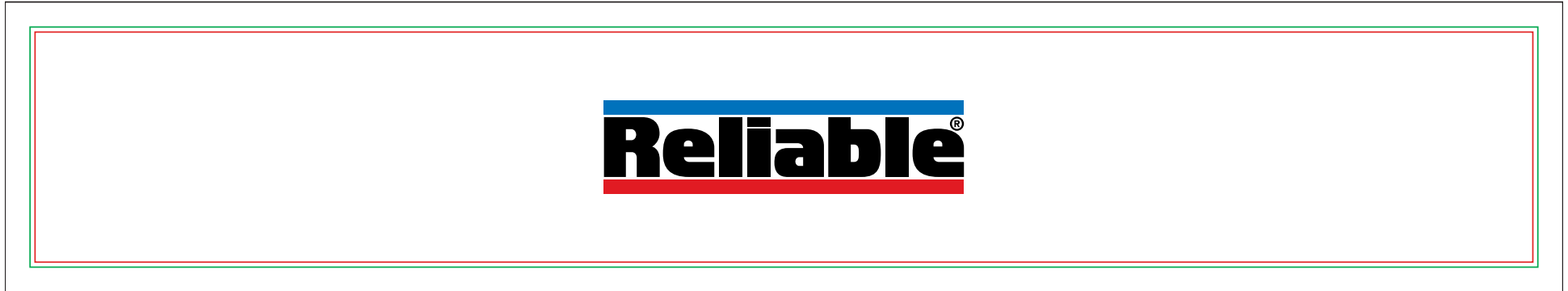


**TEMPLATE KEY:** Black - Total Size/Bounding Box | Red - Stitch Lines/Safe Area | Green - Trim Line | Blue - Bend Lines | Gray - Obstructions **NOTE:** Color coded template will not print.

<b>Ship Date:</b> 04-13-2023	10286	<b>Art Coordinator:</b> Raul Ramirez	<b>Product:</b> C-G-SK-OP-VEL	<b>Pantone Colors:</b> <div style="display: flex; flex-direction: column; gap: 5px;"> <div><span style="display: inline-block; width: 10px; height: 10px; background-color: black; border: 1px solid black;"></span> TotalSize</div> <div><span style="display: inline-block; width: 10px; height: 10px; background-color: green; border: 1px solid black;"></span> TrimLine</div> <div><span style="display: inline-block; width: 10px; height: 10px; background-color: red; border: 1px solid black;"></span> SafeArea</div> </div>
<b>Order #:</b> 1522046		<b>Print File Name:</b> 1522046_C-G-SK-OP-VEL_F2_PrintX1.pdf	<b>Quantity:</b> 1	

<b>Total Size:</b> 51.24"w x 35.50"h	<b>Notes:</b> GRAPHIC (F2) (51.24 w X 35.50 h total size ) 47.24 w X 31.50 h finish size, Dye-sub print on 5oz. Soft Knit, single sided, with opaque liner with zipper along top and 0.75 inch velcro on back side along height.	<b>Description:</b> Custom Graphic, dye-sub print on 5oz. Soft Knit, with opaque liner, up to 120" width, sewn with 0.75 inch white loop velcro around back perimeter	<b>Internal Use Only:</b>	
<b>Finished Size:</b> 47.24"w x 31.50"h				

	Ripped Signature	Cutting Signature
	Printed Signature	Finished Signature
	Check Color Signature	Printed Packing Slip
	Sublimated Signature	Packed Job



Rip at 1000%

**TEMPLATE KEY:** Black - Total Size/Bounding Box | Red - Stitch Lines/Safe Area | Green - Trim Line | Blue - Bend Lines | Gray - Obstructions **NOTE:** Color coded template will not print.

<b>Ship Date:</b> 04-13-2023	10286	<b>Art Coordinator:</b> Raul Ramirez	<b>Product:</b> RNG-0804-G	<b>Pantone Colors:</b> ■ ClipPath
<b>Order #:</b> 1522046		<b>Print File Name:</b> 1522046_RNG-0804-G_001_PrintX1.pdf	<b>Quantity:</b> 1	

**Notes:**  
GRAPHIC (G1 )(311.6"w X 58"h total size) 301.6"w X 48"h finished size, dye-sub printed on 5oz. Soft knit, pillowcase graphic, opaque liner, single sided, sewn with zipper (Unprinted White on Inside)

**Description:**  
(311.6"w X 58"h total size) 301.6"w X 48"h finished size, dye-sub printed on 5oz. Soft knit, pillowcase graphic, opaque liner, single sided, sewn with zipper

Internal Use Only:	
Ripped Signature	Cutting Signature
Printed Signature	Finished Signature
Check Color Signature	Printed Packing Slip
Sublimated Signature	Packed Job

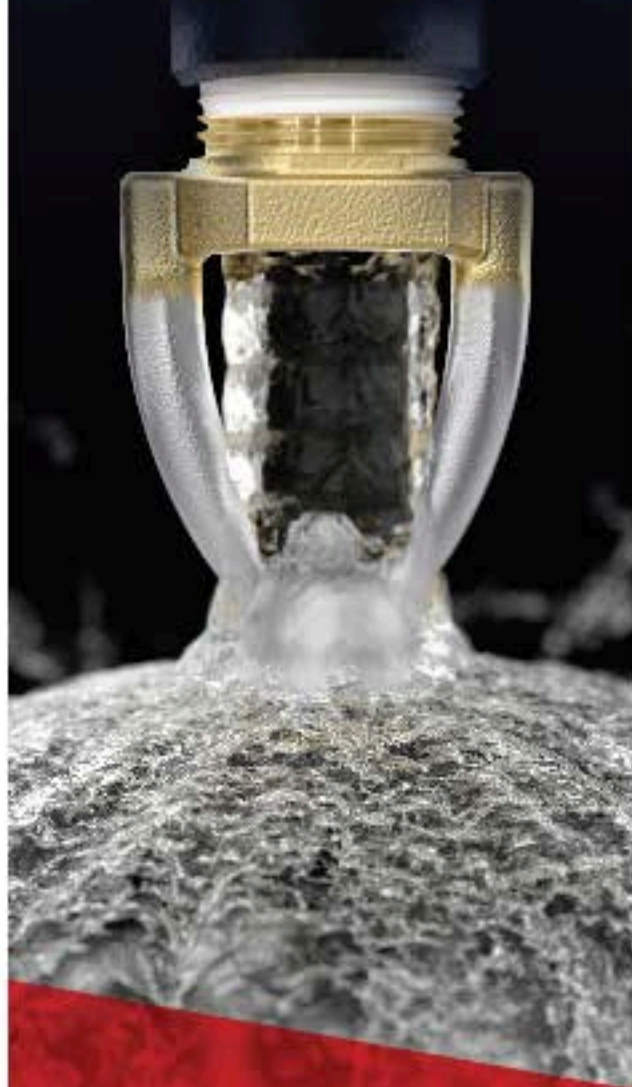
B1

B4

A1

**Reliable<sup>®</sup>**

B2





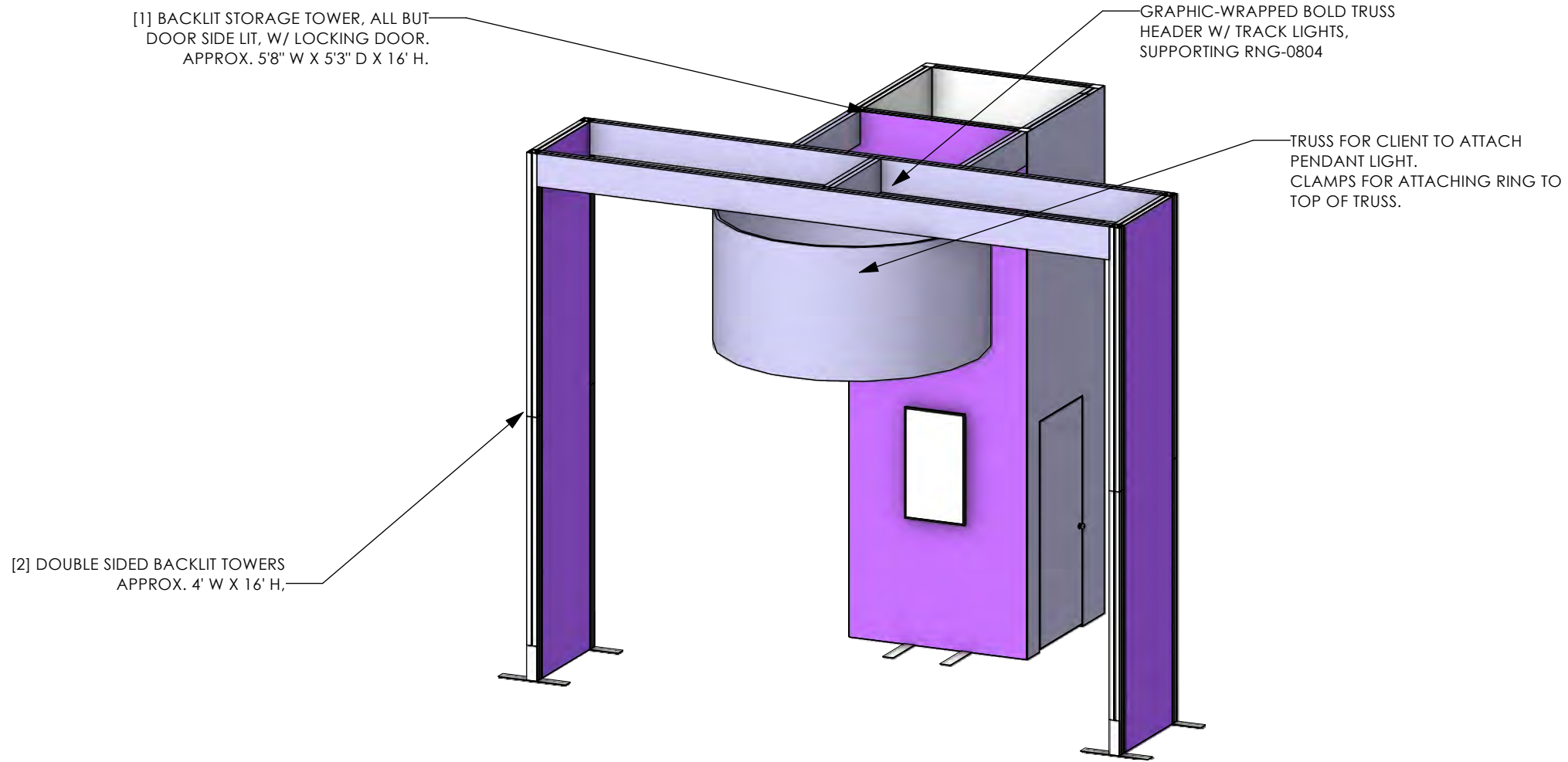
TBD

A1

A3

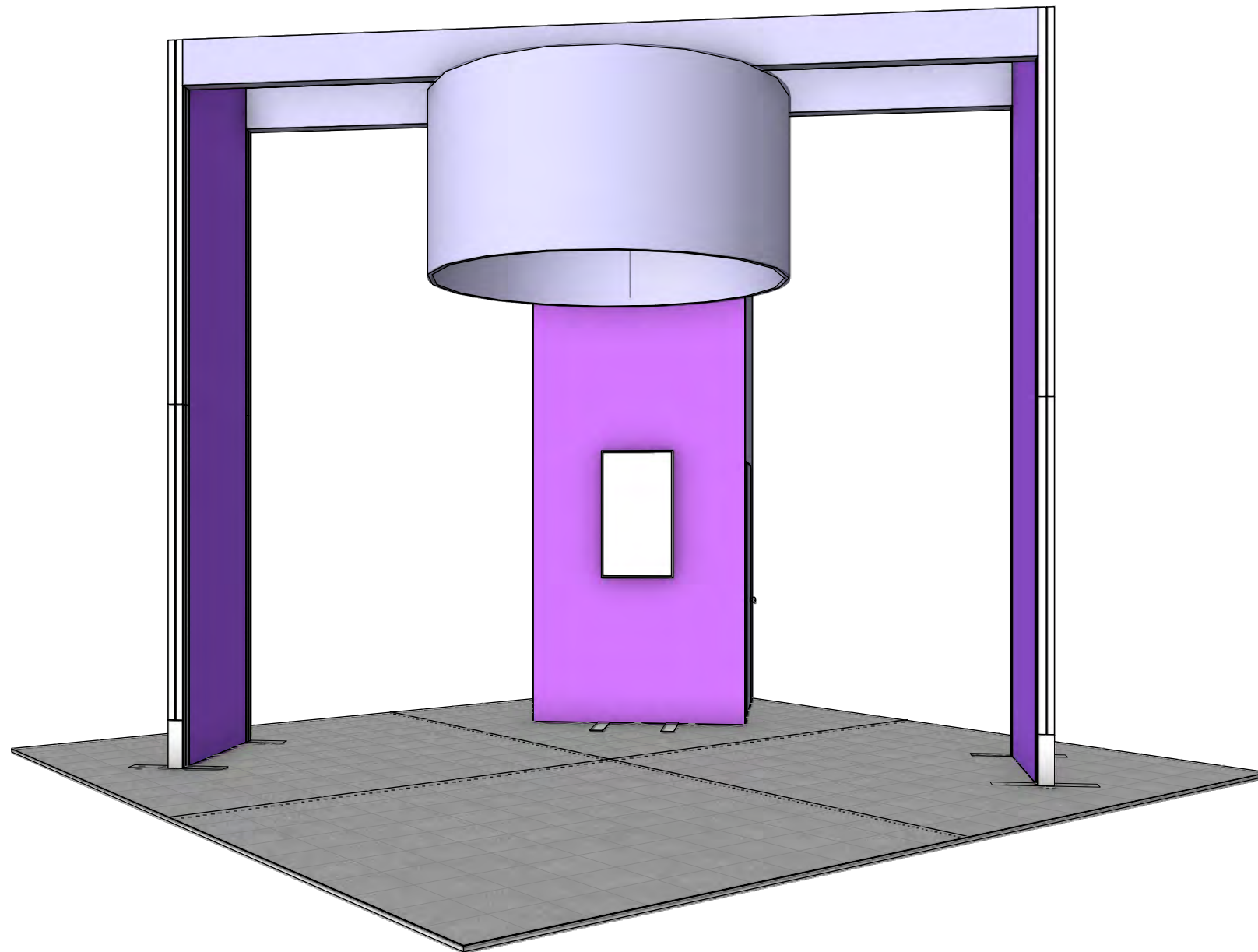
x

c



PROJECT NUMBER
<b>125761-V9</b>
DATE
<b>1/11/23</b>
DESIGNER
<b>TYLER HUPP</b>
<p><small>THIS IS AN ARTISTIC REPRESENTATION ONLY. ARTISTIC DRAWINGS ARE NOT TO BE REPRODUCED OR THE CONTENTS DISCLOSED TO OTHERS WITHOUT THE CONSENT OF ORBUS. ARTISTIC RENDERINGS ARE THE PROPERTY OF ORBUS AND MAY BE USED FOR MARKETING PURPOSES, UNLESS REQUESTED OTHERWISE IN WRITING. WARNING, REDESIGN OF THIS EXHIBIT WITHOUT APPROVAL BY ORBUS MAY RESULT IN DANGEROUS AND UNSAFE STRUCTURES. ORBUS DISCLAIMS ANY RESPONSIBILITY FOR REDESIGNED EXHIBITS IT DOES NOT APPROVE IN WRITING.</small></p> <p><small>ARTWORK CREATED FOR RENDERINGS IS NOT PRODUCTION READY IN SCALE AND RESOLUTION. PLEASE CONSULT WITH YOUR SALESPERSON IF PRODUCTION ARTWORK IS NEEDED.</small></p>
Isometric





PROJECT NUMBER

**125761-V9**

DATE

**1/11/23**

DESIGNER

**TYLER HUPP**

THIS IS AN ARTISTIC REPRESENTATION ONLY. ARTISTIC DRAWINGS ARE NOT TO BE REPRODUCED OR THE CONTENTS DISCLOSED TO OTHERS WITHOUT THE CONSENT OF ORBUS. ARTISTIC RENDERINGS ARE THE PROPERTY OF ORBUS AND MAY BE USED FOR MARKETING PURPOSES, UNLESS REQUESTED OTHERWISE IN WRITING. WARNING, REDESIGN OF THIS EXHIBIT WITHOUT APPROVAL BY ORBUS MAY RESULT IN DANGEROUS AND UNSAFE STRUCTURES. ORBUS DISCLAIMS ANY RESPONSIBILITY FOR REDESIGNED EXHIBITS IT DOES NOT APPROVE IN WRITING.

ARTWORK CREATED FOR RENDERINGS IS NOT PRODUCTION READY IN SCALE AND RESOLUTION. PLEASE CONSULT WITH YOUR SALESPERSON IF PRODUCTION ARTWORK IS NEEDED.

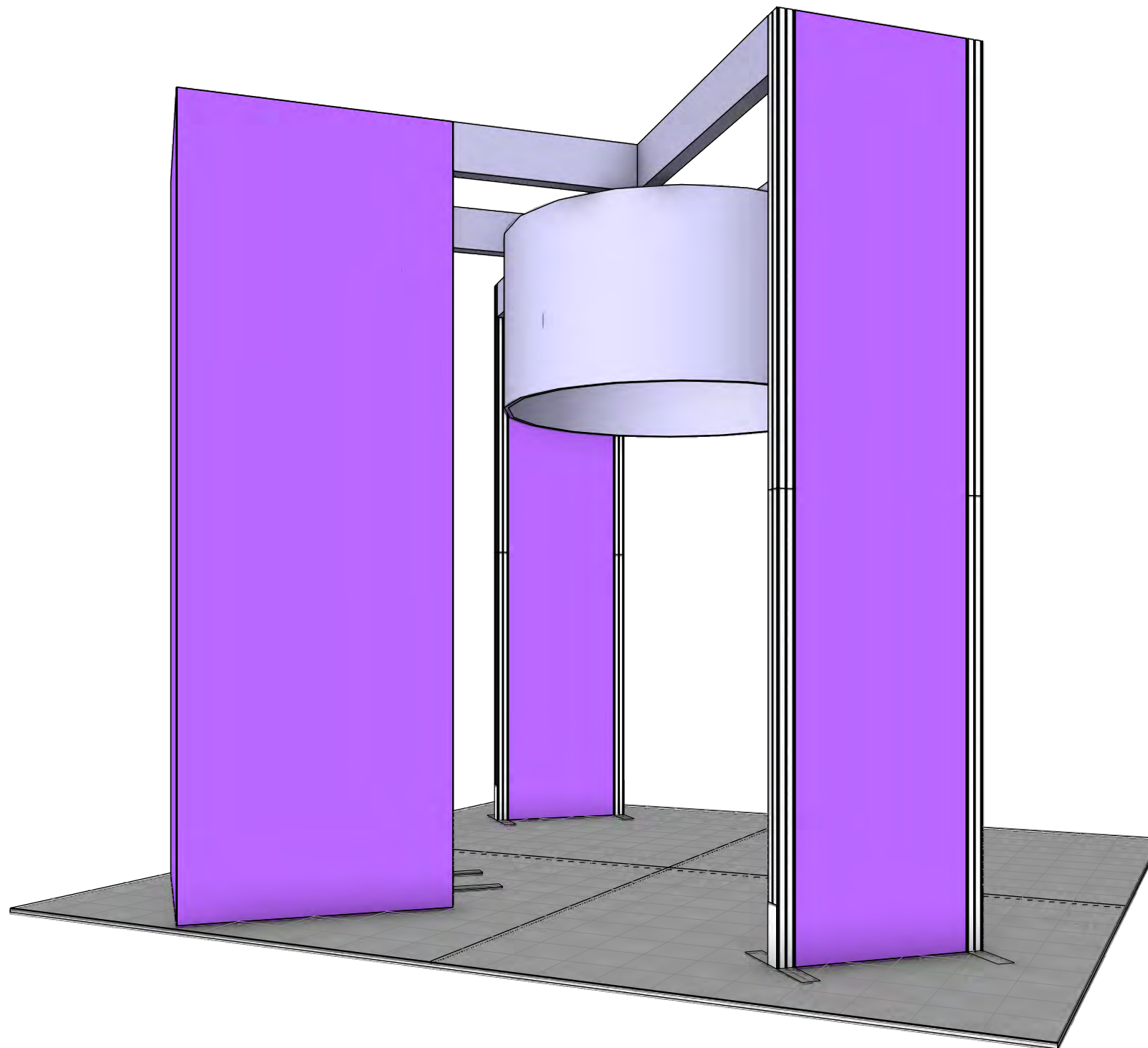
Perspective-1



**G7 Print  
Certified**



**DQS Inc.**  
ORBUS, LLC  
ISO 9001: 2015  
ISO 14001: 2015  
10009274 & 10011571



PROJECT NUMBER

**125761-V9**

DATE

**1/11/23**

DESIGNER

**TYLER HUPP**

THIS IS AN ARTISTIC REPRESENTATION ONLY. ARTISTIC DRAWINGS ARE NOT TO BE REPRODUCED OR THE CONTENTS DISCLOSED TO OTHERS WITHOUT THE CONSENT OF ORBUS. ARTISTIC RENDERINGS ARE THE PROPERTY OF ORBUS AND MAY BE USED FOR MARKETING PURPOSES, UNLESS REQUESTED OTHERWISE IN WRITING. WARNING, REDESIGN OF THIS EXHIBIT WITHOUT APPROVAL BY ORBUS MAY RESULT IN DANGEROUS AND UNSAFE STRUCTURES. ORBUS DISCLAIMS ANY RESPONSIBILITY FOR REDESIGNED EXHIBITS IT DOES NOT APPROVE IN WRITING.

ARTWORK CREATED FOR RENDERINGS IS NOT PRODUCTION READY IN SCALE AND RESOLUTION. PLEASE CONSULT WITH YOUR SALESPERSON IF PRODUCTION ARTWORK IS NEEDED.

Perspective-2

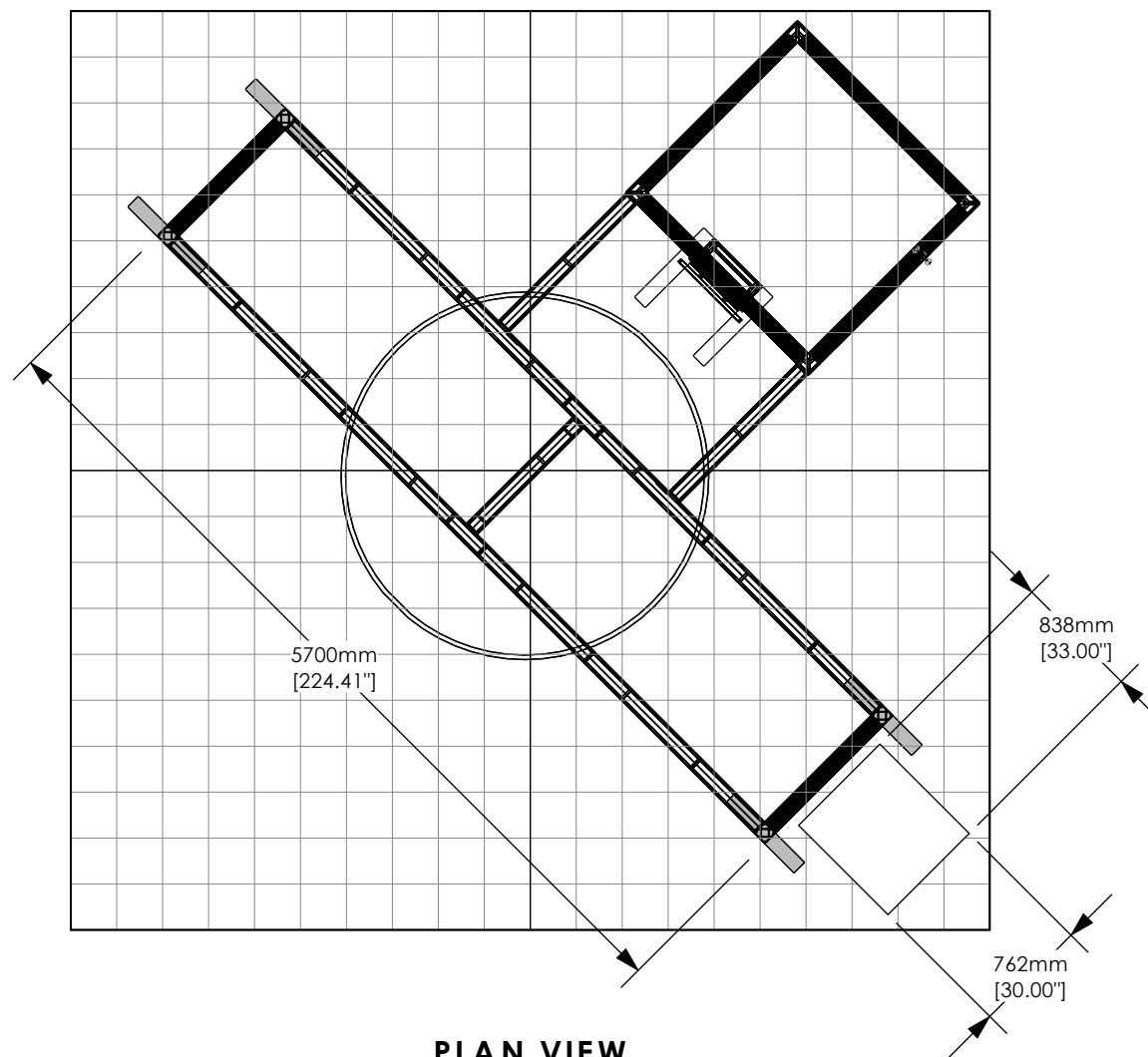


**G7 Print  
Certified**



**DQS Inc.**  
ORBUS, LLC  
ISO 9001: 2015  
ISO 14001: 2015  
10009274 & 10011571





**PLAN VIEW**  
Scale: 1:50

PROJECT NUMBER

**125761-V9**

DATE

**1/11/23**

DESIGNER

**TYLER HUPP**

THIS IS AN ARTISTIC REPRESENTATION ONLY. ARTISTIC DRAWINGS ARE NOT TO BE REPRODUCED OR THE CONTENTS DISCLOSED TO OTHERS WITHOUT THE CONSENT OF ORBUS. ARTISTIC RENDERINGS ARE THE PROPERTY OF ORBUS AND MAY BE USED FOR MARKETING PURPOSES, UNLESS REQUESTED OTHERWISE IN WRITING. WARNING, REDESIGN OF THIS EXHIBIT WITHOUT APPROVAL BY ORBUS MAY RESULT IN DANGEROUS AND UNSAFE STRUCTURES. ORBUS DISCLAIMS ANY RESPONSIBILITY FOR REDESIGNED EXHIBITS IT DOES NOT APPROVE IN WRITING.

ARTWORK CREATED FOR RENDERINGS IS NOT PRODUCTION READY IN SCALE AND RESOLUTION. PLEASE CONSULT WITH YOUR SALESPERSON IF PRODUCTION ARTWORK IS NEEDED.

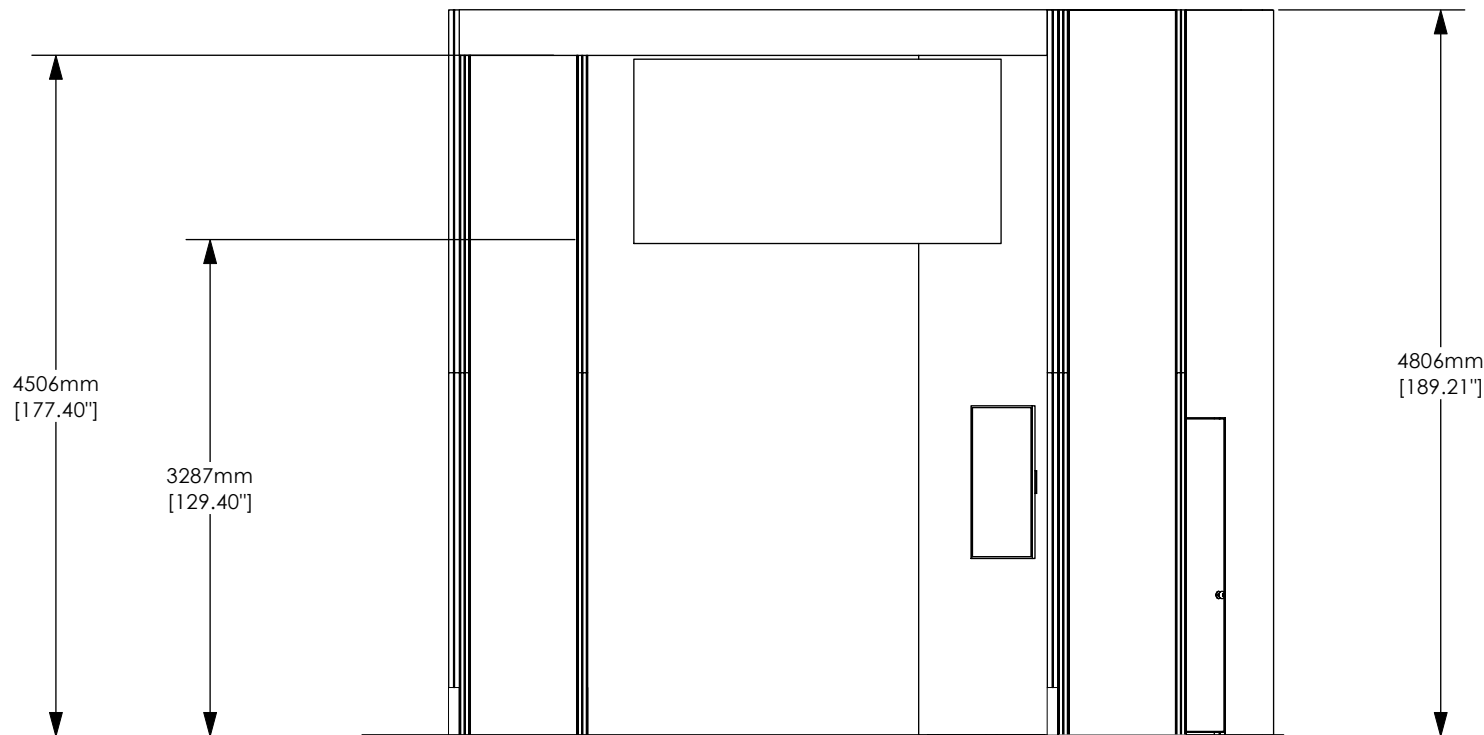
Plan View



**G7 Print  
Certified**



**DQS Inc.**  
**ORBUS, LLC**  
ISO 9001: 2015  
ISO 14001: 2015  
10009274 & 10011571



**ELEVATION VIEW**  
Scale: 1:50

PROJECT NUMBER

**125761-V9**

DATE

**1/11/23**

DESIGNER

**TYLER HUPP**

THIS IS AN ARTISTIC REPRESENTATION ONLY. ARTISTIC DRAWINGS ARE NOT TO BE REPRODUCED OR THE CONTENTS DISCLOSED TO OTHERS WITHOUT THE CONSENT OF ORBUS. ARTISTIC RENDERINGS ARE THE PROPERTY OF ORBUS AND MAY BE USED FOR MARKETING PURPOSES, UNLESS REQUESTED OTHERWISE IN WRITING. WARNING, REDESIGN OF THIS EXHIBIT WITHOUT APPROVAL BY ORBUS MAY RESULT IN DANGEROUS AND UNSAFE STRUCTURES. ORBUS DISCLAIMS ANY RESPONSIBILITY FOR REDESIGNED EXHIBITS IT DOES NOT APPROVE IN WRITING.

ARTWORK CREATED FOR RENDERINGS IS NOT PRODUCTION READY IN SCALE AND RESOLUTION. PLEASE CONSULT WITH YOUR SALESPERSON IF PRODUCTION ARTWORK IS NEEDED.

Elevation View

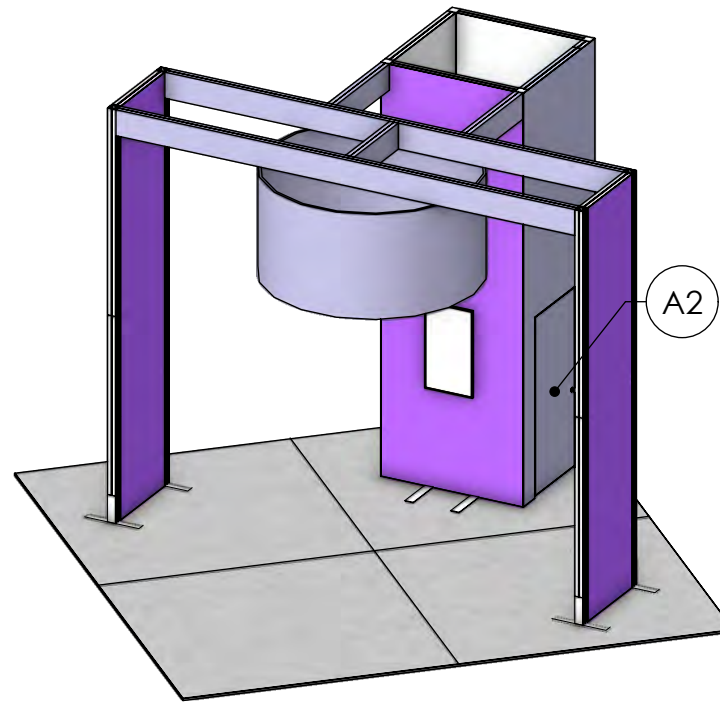


**G7 Print  
Certified**



**DQS Inc.**  
**ORBUS, LLC**  
ISO 9001: 2015  
ISO 14001: 2015  
10009274 & 10011571

Label	Description
A2	UNPRINTED (A2) (38.76 w X 85.38 h total size ) 34.76 w X 81.38 h finish size, Unprinted Eclipse Blockout Stretch, sewn with FCE-2 silicone beading around perimeter & pull tab in bottom right corner
A2	GRAPHIC (A2) (38.76 w X 85.38 h total size ) 34.76 w X 81.38 h finish size, Dye-sub print on Eclipse Blockout Stretch, single sided, sewn with FCE-2 silicone beading around perimeter & pull tab in bottom right corner



**nimlok**

PROJECT NUMBER

**125761-V9**

DATE

**1/11/23**

DESIGNER

**TYLER HUPP**

THIS IS AN ARTISTIC REPRESENTATION ONLY. ARTISTIC DRAWINGS ARE NOT TO BE REPRODUCED OR THE CONTENTS DISCLOSED TO OTHERS WITHOUT THE CONSENT OF ORBUS. ARTISTIC RENDERINGS ARE THE PROPERTY OF ORBUS AND MAY BE USED FOR MARKETING PURPOSES, UNLESS REQUESTED OTHERWISE IN WRITING. WARNING, REDESIGN OF THIS EXHIBIT WITHOUT APPROVAL BY ORBUS MAY RESULT IN DANGEROUS AND UNSAFE STRUCTURES. ORBUS DISCLAIMS ANY RESPONSIBILITY FOR REDESIGNED EXHIBITS IT DOES NOT APPROVE IN WRITING.

ARTWORK CREATED FOR RENDERINGS IS NOT PRODUCTION READY IN SCALE AND RESOLUTION. PLEASE CONSULT WITH YOUR SALESPERSON IF PRODUCTION ARTWORK IS NEEDED.

Graphic Layout-1

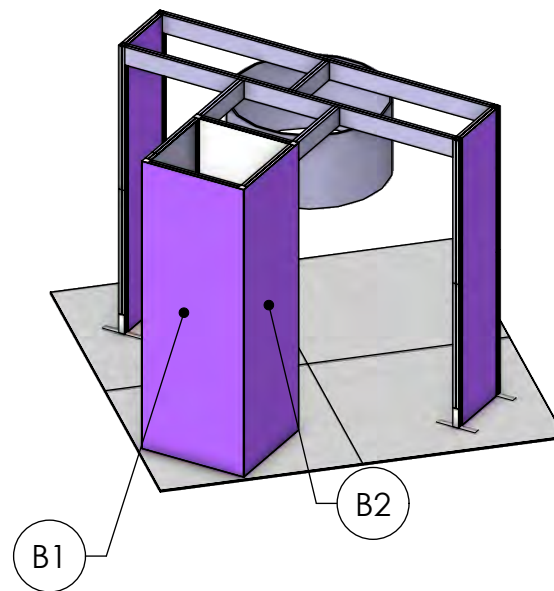
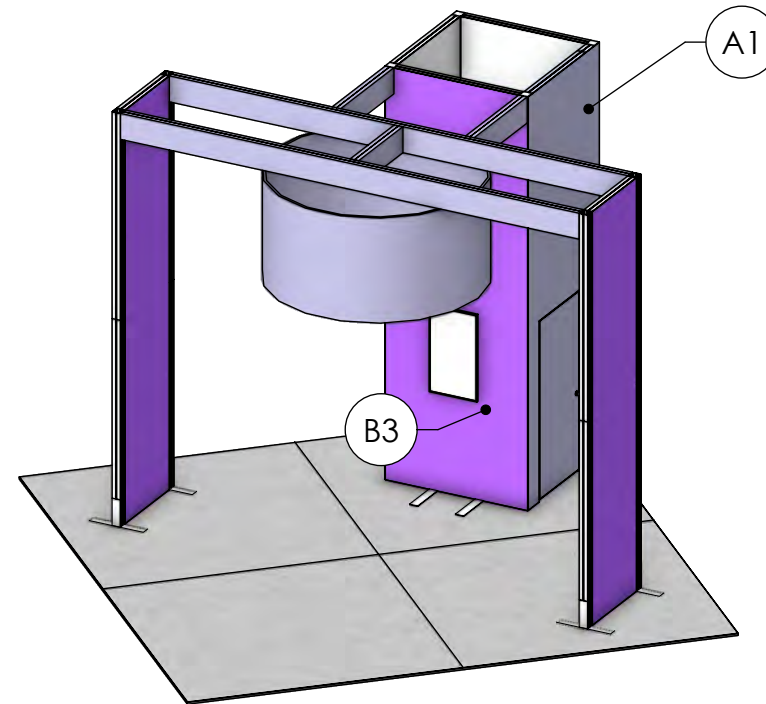


**G7 Print  
Certified**



**DQS Inc.**  
**ORBUS, LLC**  
ISO 9001: 2015  
ISO 14001: 2015  
10009274 & 10011571

Label	Description
A1	GRAPHIC (A1) (67.27 w X 192.86 h total size ) 63.27 w X 188.86 h finish size, UV/LED print on Backlit Intensity, single sided, sewn with silicone beading around perimeter & pull tab in bottom right corner with VF door cutout
B1	LINER (B1) (63.33 w X 192.86 h total size ) 59.33 w X 188.86 h finish size, Opaque Liner, sewn with FCE-2 silicone beading around perimeter & pull tab in bottom right corner
B1	GRAPHIC (B1) (71.20 w X 192.86 h total size ) 67.20 w X 188.86 h finish size, UV/LED print on Backlit Intensity, single sided, sewn with silicone beading around perimeter & pull tab in bottom right corner
B2	LINER (B2) (59.39 w X 192.86 h total size ) 55.39 w X 188.86 h finish size, Opaque Liner, sewn with FCE-2 silicone beading around perimeter & pull tab in bottom right corner
B2	GRAPHIC (B2) (67.27 w X 192.86 h total size ) 63.27 w X 188.86 h finish size, UV/LED print on Backlit Intensity, single sided, sewn with silicone beading around perimeter & pull tab in bottom right corner
B3	GRAPHIC (B3) (71.20 w X 192.86 h total size ) 67.20 w X 188.86 h finish size, UV/LED print on Backlit Intensity, single sided, sewn with silicone beading around perimeter & pull tab in bottom right corner
B3	LINER (B3) (63.33 w X 192.86 h total size ) 59.33 w X 188.86 h finish size, Opaque Liner, sewn with FCE-2 silicone beading around perimeter & pull tab in bottom right corner



**nimlok**

PROJECT NUMBER

**125761-V9**

DATE

**1/11/23**

DESIGNER

**TYLER HUPP**

THIS IS AN ARTISTIC REPRESENTATION ONLY. ARTISTIC DRAWINGS ARE NOT TO BE REPRODUCED OR THE CONTENTS DISCLOSED TO OTHERS WITHOUT THE CONSENT OF ORBUS. ARTISTIC RENDERINGS ARE THE PROPERTY OF ORBUS AND MAY BE USED FOR MARKETING PURPOSES, UNLESS REQUESTED OTHERWISE IN WRITING. WARNING, REDESIGN OF THIS EXHIBIT WITHOUT APPROVAL BY ORBUS MAY RESULT IN DANGEROUS AND UNSAFE STRUCTURES. ORBUS DISCLAIMS ANY RESPONSIBILITY FOR REDESIGNED EXHIBITS IT DOES NOT APPROVE IN WRITING.

ARTWORK CREATED FOR RENDERINGS IS NOT PRODUCTION READY IN SCALE AND RESOLUTION. PLEASE CONSULT WITH YOUR SALESPERSON IF PRODUCTION ARTWORK IS NEEDED.

**Graphic Layout-2**

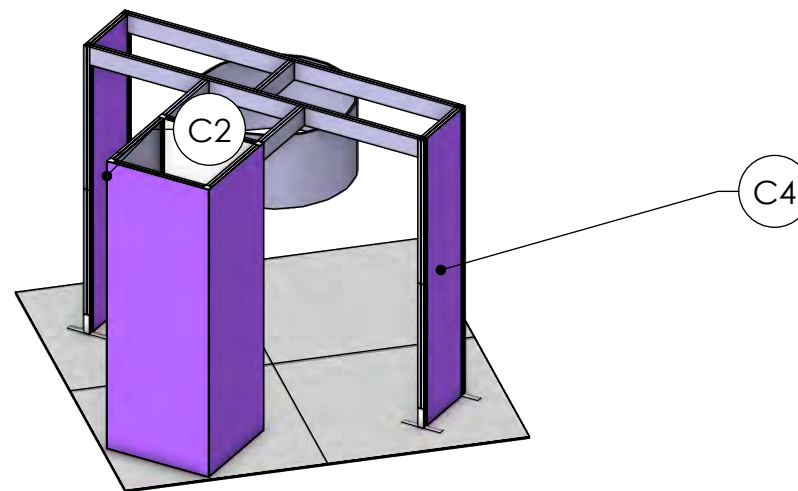
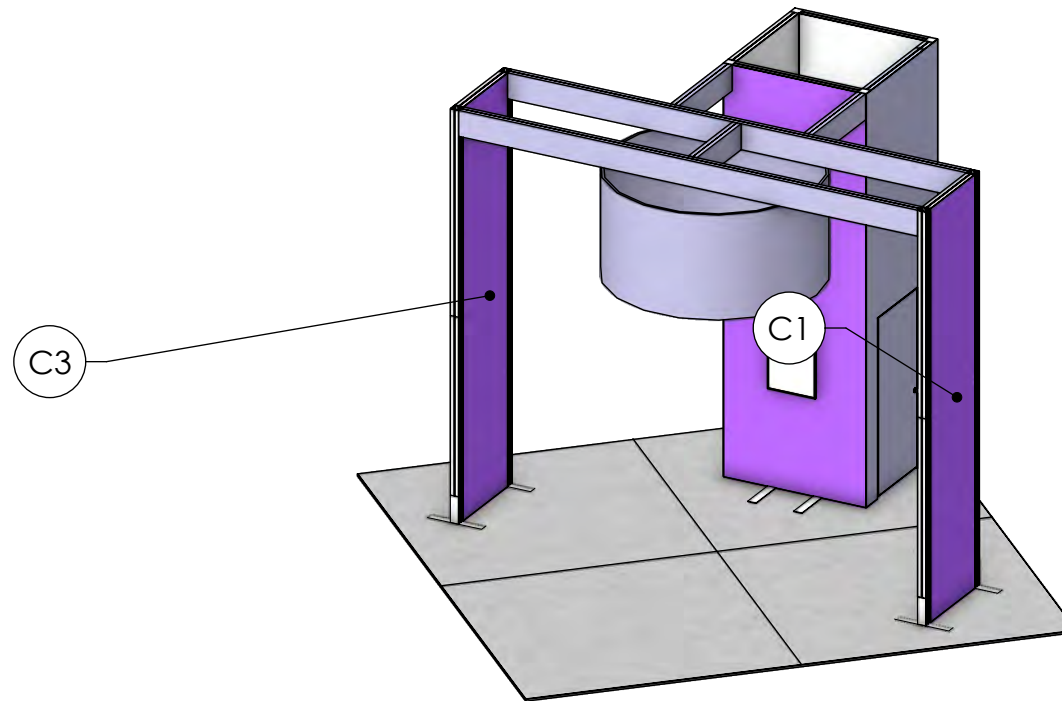


**G7 Print  
Certified**



**DQS Inc.**  
ORBUS, LLC  
ISO 9001: 2015  
ISO 14001: 2015  
10009274 & 10011571

Label	Description
C1	GRAPHIC (C1) (43.25 w X 192.86 h total size ) 39.25 w X 188.86 h finish size, UV/LED print on Backlit Intensity, single sided, sewn with silicone beading around perimeter & pull tab in bottom right corner
C2	GRAPHIC (C2) (43.25 w X 192.86 h total size ) 39.25 w X 188.86 h finish size, UV/LED print on Backlit Intensity, single sided, sewn with silicone beading around perimeter & pull tab in bottom right corner
C3	GRAPHIC (C3) (43.25 w X 192.86 h total size ) 39.25 w X 188.86 h finish size, UV/LED print on Backlit Intensity, single sided, sewn with silicone beading around perimeter & pull tab in bottom right corner
C4	GRAPHIC (C4) (43.25 w X 192.86 h total size ) 39.25 w X 188.86 h finish size, UV/LED print on Backlit Intensity, single sided, sewn with silicone beading around perimeter & pull tab in bottom right corner



**nimlok**

PROJECT NUMBER

**125761-V9**

DATE

**1/11/23**

DESIGNER

**TYLER HUPP**

THIS IS AN ARTISTIC REPRESENTATION ONLY. ARTISTIC DRAWINGS ARE NOT TO BE REPRODUCED OR THE CONTENTS DISCLOSED TO OTHERS WITHOUT THE CONSENT OF ORBUS. ARTISTIC RENDERINGS ARE THE PROPERTY OF ORBUS AND MAY BE USED FOR MARKETING PURPOSES, UNLESS REQUESTED OTHERWISE IN WRITING. WARNING, REDESIGN OF THIS EXHIBIT WITHOUT APPROVAL BY ORBUS MAY RESULT IN DANGEROUS AND UNSAFE STRUCTURES. ORBUS DISCLAIMS ANY RESPONSIBILITY FOR REDESIGNED EXHIBITS IT DOES NOT APPROVE IN WRITING.

ARTWORK CREATED FOR RENDERINGS IS NOT PRODUCTION READY IN SCALE AND RESOLUTION. PLEASE CONSULT WITH YOUR SALESPERSON IF PRODUCTION ARTWORK IS NEEDED.

**Graphic Layout-3**

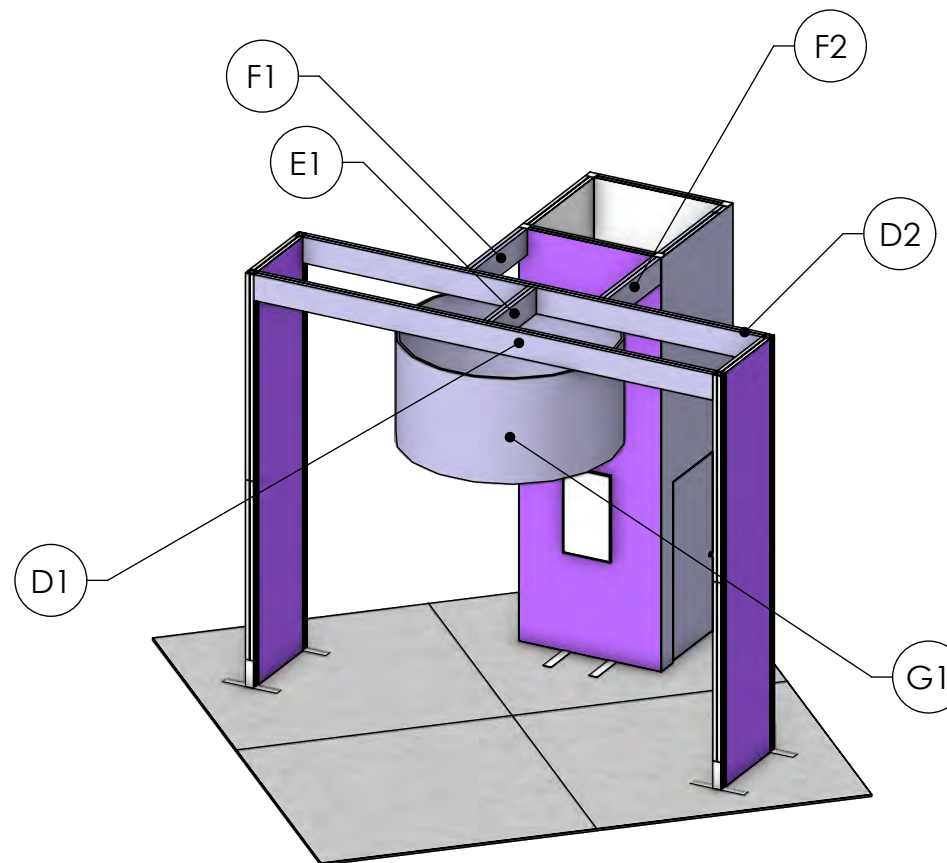


**G7 Print  
Certified**



**DQS Inc.**  
ORBUS, LLC  
ISO 9001: 2015  
ISO 14001: 2015  
10009274 & 10011571

Label	Description
D1	GRAPHIC (D1) (220.54 w X 35.50 h total size ) 216.54 w X 31.50 h finish size, Dye-sub print on 5oz. Soft Knit, single sided, with opaque liner with zipper along top and 0.75 inch velcro on back side along height.
D2	GRAPHIC (D2) (220.54 w X 35.50 h total size ) 216.54 w X 31.50 h finish size, Dye-sub print on 5oz. Soft Knit, single sided, with opaque liner with zipper along top and 0.75 inch velcro on back side along height.
E1	GRAPHIC (E1) (43.37 w X 35.50 h total size ) 39.37 w X 31.50 h finish size, Dye-sub print on 5oz. Soft Knit, single sided, with opaque liner with zipper along top and 0.75 inch velcro on back side along height.
F1	GRAPHIC (F1) (51.24 w X 35.50 h total size ) 47.24 w X 31.50 h finish size, Dye-sub print on 5oz. Soft Knit, single sided, with opaque liner with zipper along top and 0.75 inch velcro on back side along height.
F2	GRAPHIC (F2) (51.24 w X 35.50 h total size ) 47.24 w X 31.50 h finish size, Dye-sub print on 5oz. Soft Knit, single sided, with opaque liner with zipper along top and 0.75 inch velcro on back side along height.
G1	GRAPHIC (G1) (311.6"w X 58"h total size) 301.6"w X 48"h finished size OUTER DIMENSION, (304.2"w X 58"h total size) 294.2"w X 48"h finished size INNER DIMENSION, dye-sub printed on 5oz. Soft knit, pillowcase graphic, opaque liner, Double Faced, sewn with zipper



**nimlok**

PROJECT NUMBER

**125761-V9**

DATE

**1/11/23**

DESIGNER

**TYLER HUPP**

THIS IS AN ARTISTIC REPRESENTATION ONLY. ARTISTIC DRAWINGS ARE NOT TO BE REPRODUCED OR THE CONTENTS DISCLOSED TO OTHERS WITHOUT THE CONSENT OF ORBUS. ARTISTIC RENDERINGS ARE THE PROPERTY OF ORBUS AND MAY BE USED FOR MARKETING PURPOSES, UNLESS REQUESTED OTHERWISE IN WRITING. WARNING, REDESIGN OF THIS EXHIBIT WITHOUT APPROVAL BY ORBUS MAY RESULT IN DANGEROUS AND UNSAFE STRUCTURES. ORBUS DISCLAIMS ANY RESPONSIBILITY FOR REDESIGNED EXHIBITS IT DOES NOT APPROVE IN WRITING.

ARTWORK CREATED FOR RENDERINGS IS NOT PRODUCTION READY IN SCALE AND RESOLUTION. PLEASE CONSULT WITH YOUR SALESPERSON IF PRODUCTION ARTWORK IS NEEDED.

**Graphic Layout-4**



**G7 Print  
Certified**



**DQS Inc.**  
ORBUS, LLC  
ISO 9001: 2015  
ISO 14001: 2015  
10009274 & 10011571

**ACCEPTABLE FILE FORMATS**

Illustrator CC or below  
 Photoshop CC or below or InDesign CC or below  
 (not preferred)

High quality, editable PDFs, Photoshop and Illustrator files are preferred, as they are more suitable applications for large format printing. Art time will be charged if files need to be fixed or altered to meet guidelines. When sending files, please be sure to include all support art (fonts, linked images, etc).

Please note that Illustrator special effects such as glows, transparencies, or drop shadows are not recommended. These effects sometimes have unpredictable results when printing. Photoshop is preferred when using these special effects.

**FONT SPECIFICATIONS**

Fonts must be converted to outlines. If fonts are not created to outlines, please provide Macintosh or TrueType fonts. If changes need to be made in the file, please provide the fonts and a version of the file with editable type.

Please provide all vector files (Illustrator and InDesign) in CMYK format. Please supply all raster artwork (Photoshop files, jpgs, tiffs) in RGB format for the most accurate color output. Please provide a hard copy proof of the files being printed for color accuracy and a PDF layout for file layout accuracy.

If Pantone colors need to be matched please specify on purchase order or hard copy reference. All critical Pantone colors need to be called out in the file as solid coated swatches. If multiple Pantone swatches are used in the file, all will be matched to solid coated unless otherwise specified.

**DESCRIPTION SIZES:**

TOTAL SIZE = Finished size plus required bleed.

FINISH SIZE = Finished graphic size.

VISUAL SIZE = Viewable area of finished size when graphic is an infill.

Please feel free to submit catalogs, brochures, printed proofs, etc. to use for a color reference. If color matching is required for Photoshop files please provide a layered file. Art time may be charged to correct flattened Photoshop files.

If color matching to existing graphics, we will need those back to review. Please contact your sales representative for a case number.

We guarantee color matching on all hard copy proofs, specified Pantone colors and client-supplied hard copy proofs. Orders without indication of Pantone colors, supplied hard copy proofs or requested hard copy proofs are not guaranteed for color.

**RESOLUTION**

All raster files (either print files or linked files) must be at 100-120 pixels per inch at 100%.

**VINYL CUT GRAPHICS**

Artwork must be set-up as vector files with fonts created to outlines for all cut vinyl. Please specify Avery color number for solid color vinyl or PMS color for dsg printed and cut vinyl.

**SUBMITTING ARTWORK FILES**

Files are accepted via Email (up to 5MB), FTP site, DVD, CD or File transfer site such as WeTransfer or Hightail.

Files can be uploaded to:  
[www.handbookart.com](http://www.handbookart.com)

Please reference the FTPsite guidelines for more information.

**MURALS | POPUP GRAPHICS**

Coyote™ mural files must be built as one file. Please note where panel breaks are located and try to minimize the amount of type that crosses over the panel breaks.

**BLEED SPECIFICATIONS**

All graphics produced require specific bleeds.

Below is a general outline for the required bleeds. Mural Popup Files - 1/2" bleed around the perimeter.

Hopups™, Formulates™, Vector Frame™ - 2" bleed around the perimeter. Please keep all logos, type, and critical information at least 2" in from the visual edge of the graphic.

Fabric Structures - 5" bleed around the perimeter.

Banner Stand Graphics - each product has specific bleed requirements. Please refer to graphic template for specific information. Different printing processes may require different bleeds. All banner stand graphics printed on 8oz. Oxford will require an extra 1" bleed around the perimeter.

Custom Dye-Sub Flag Graphics - 2" bleed left & right sides, 4" bleed top & bottom.

Orbital Express™ Truss Graphics, UV- 1/2" bleed around the perimeter.

Orbital Express™ Truss Graphics, 8oz. Oxford - 2" bleed around the perimeter.

Custom Contour Cut UV Graphics - 1/2" bleed around the perimeter.

Custom Dye-Sub Graphics - 2" bleed around the perimeter

Custom Dye-Sub Graphics exceeding 160" - 5" bleed around the perimeter for hanging structures.

Templates for products are available online at [www.theexhibitorshandbook.com](http://www.theexhibitorshandbook.com)

PROJECT NUMBER

**125761-V9**

DATE

**1/11/23**

DESIGNER

**TYLER HUPP**

THIS IS AN ARTISTIC REPRESENTATION ONLY. ARTISTIC DRAWINGS ARE NOT TO BE REPRODUCED OR THE CONTENTS DISCLOSED TO OTHERS WITHOUT THE CONSENT OF ORBUS. ARTISTIC RENDERINGS ARE THE PROPERTY OF ORBUS AND MAY BE USED FOR MARKETING PURPOSES, UNLESS REQUESTED OTHERWISE IN WRITING. WARNING, REDESIGN OF THIS EXHIBIT WITHOUT APPROVAL BY ORBUS MAY RESULT IN DANGEROUS AND UNSAFE STRUCTURES. ORBUS DISCLAIMS ANY RESPONSIBILITY FOR REDESIGNED EXHIBITS IT DOES NOT APPROVE IN WRITING.

ARTWORK CREATED FOR RENDERINGS IS NOT PRODUCTION READY IN SCALE AND RESOLUTION. PLEASE CONSULT WITH YOUR SALESPERSON IF PRODUCTION ARTWORK IS NEEDED.

Guidelines



**G7 Print Certified**



**DQS Inc.**  
**ORBUS, LLC**  
 ISO 9001: 2015  
 ISO 14001: 2015  
 10009274 & 10011571